

СЕРИЯ CAFRA SCHLÜSSEL: 200 - CAFRA SCHLÜSSEL SERIES: 200

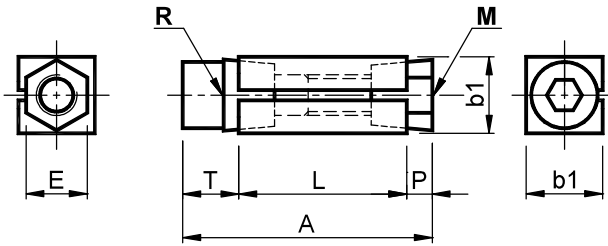


Таблица выбора вал-ступица / Selection table shaft-hub

da	dh мин	Тип 200	Тип 500	B H11	H H11	T	C h8	S
10	28		507	8	15.5	2.5	7.5	8.66
11	28		507	8	16.5	2.5	8.8	9.21
12	29		509	10	17.5	2.5	9.5	9.74
14	37		509	10	21.0	3.0	11.0	11.48
15	37		509	10	22.0	3.0	12.0	12.00
16	37	210	510	12	23.0	3.0	13.0	12.48
18	41		509	10	25.5	2.5	15.5	12.44
18	45	210	510	12	27.0	3.0	15.0	13.40
19	41		509	10	26.5	2.5	16.5	12.84
19	45	210	510	12	28.0	3.0	16.0	13.85
20	45		509	10	27.5	2.5	17.5	13.22
20	50	210	510	12	29.0	3.0	17.0	14.28
22	50	210	510	12	31.5	2.5	19.5	13.90
22	52	211	511	15	33.0	4.0	18.0	16.90
24	52	210	510	12	33.5	2.5	21.5	14.60
24	60	211	511	15	35.0	4.0	20.0	17.80
25	52	210	510	12	34.5	2.5	22.5	15.00
25	60	211	511	15	36.0	4.0	21.0	18.30
26	55	210	510	12	35.5	2.5	23.5	15.30
26	60	211	511	15	37.5	3.5	22.5	17.70
28	63	211	511	15	40.0	3.0	25.0	17.30
28	70	212	512	18	42.0	4.0	24.0	19.50
30	63	211	511	15	42.0	3.0	27.0	18.00
30	70	212	512	18	44.0	4.0	26.0	20.30
32	70	212	512	18	46.0	4.0	28.0	21.10
32	75	213-14	514	20	47.0	5.0	27.0	23.20
35	80	213-14	514	20	51.0	4.0	31.0	22.20
35	88	215	515	25	53.5	6.5	28.5	27.20
36	80	213-14	514	20	52.0	4.0	32.0	22.60
36	88	215	515	25	54.5	6.5	29.5	27.60
38	85	213-14	514	20	54.0	4.0	34.0	23.30
38	88	215	515	25	56.5	6.5	31.5	28.60
40	88	213-14	514	20	56.0	4.0	36.0	24.00
40	88	215	515	25	58.5	6.5	33.5	29.50
42	88	213-14	514	20	58.0	4.0	38.0	24.60
42	100	215	515	25	61.0	6.0	36.0	29.30
45	88	213-14	514	20	61.0	4.0	41.0	25.60
45	100	215	515	25	64.0	6.0	39.0	30.50
48	110	215	515	25	68.0	5.0	43	29.30
48	110	216	516	30	72.0	6.0	42	31.70
50	110	215	515	25	70.0	5.0	45	30.00
50	120	216	516	30	74.0	6.0	44	32.40
55	110	215	515	25	75.5	4.5	50.5	30.10
55	120	216	516	30	79.0	6.0	49.0	34.20
60	128	216	516	30	84.0	6.0	54.0	36.00
60	130	217	517	35	88.0	7.0	53.0	38.50
65	130	216	516	30	89.5	5.5	59.5	36.10
65	148	217	517	35	93.0	7.0	58.0	40.20
70	148	217	517	35	99.0	6.0	64.0	39.10
70	160	218	518	40	102.0	8.0	62.0	44.50
75	150	217	517	35	104.0	6.0	69.0	40.60
75	160	218	518	40	107.0	8.0	67.0	46.30
80	170	218	518	40	113.0	7.0	73.0	45.20
80	180	219		45	116.0	9.0	71.0	50.50
85	180	218	518	40	118.0	7.0	78.0	46.70
85	180	219		45	121.0	9.0	76.0	52.30
90	200	219		45	127.0	8.0	82.0	51.20
90	200	220		50	130.0	10.0	80.0	56.50
95	200	219		45	132.0	8.0	87.0	52.70
95	200	220		50	135.0	10.0	85.0	58.30

Тип	Код. №	b1	L	E	P	T	A	*M	OR	Q da H	Ms da N	Вес в кг
210	CS010030	12	28	10	4	11	43	M6	M8	2000	1.7	0.029
211	CS010031	15	30	12	4	13	47	M8	M10	3000	4.2	0.053
212	CS010032	18	35	15	5	15	55	M10	M12	4900	8.5	0.093
213	CS010033	20	35	18	4	17	56	M12	M14	7200	14.7	0.120
214	CS010034	20	40	18	5	17	62	M12	M14	7200	14.7	0.131
215	CS010035	25	40	21	6	20	66	M14	M16	9900	23.5	0.215
216	CS010036	30	45	26	9	24	78	M16	M20	1370	35.8	0.320
217	CS010037	35	50	32	11	29	90	M20	M24	2130	69.6	0.548
218	CS010038	40	60	35	12	30	102	M22	M27	2670	94.2	0.716
219	CS010039	45	80	40	14	36	130	M24	M30	3090	119.7	0.950
220	CS010040	50	100	45	18	40	158	M27	M33	4060	177.6	1.200

МАТЕРИАЛЫ: сталь.

ОБРАБОТКА: электролитическое покрытие цинком. Болты класса 12.9 в необработанном состоянии.

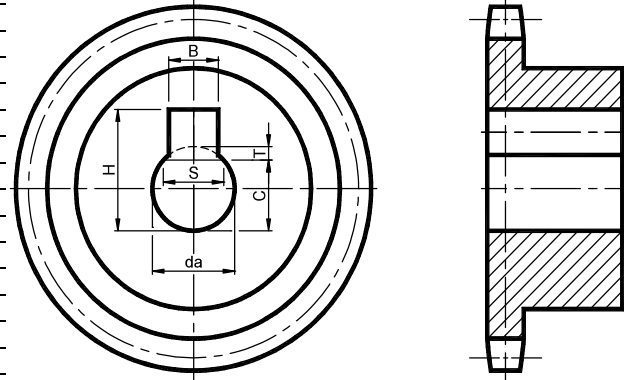
ИСПОЛЬЗОВАНИЕ: ласточкин хвост используется вместо шпонки.

После регулировки он блокирует ступицу на валу, предотвращая также осевые смещения.

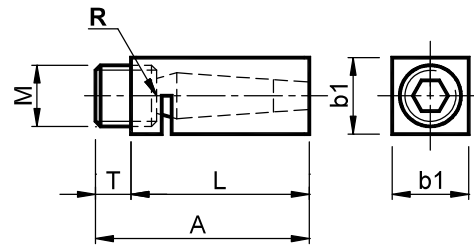
MATERIALS: Steel.

TREATMENTS: Electrolytic zinc plated. Bolts in class 12.9 in raw condition.

USE: Dovetailer used in place of the key. After adjustment, it blocks the hub onto the shaft preventing also the axial displacements.



СЕРИЯ: 500 - SERIES: 500



Тип	Код. №	b1	L	T	A	*M	R	Q da H	Ms da N	Вес в кг
506	CS010090	6	25	5	30	M5	M3	600	1.4	0.005
507	CS010091	8	25	5	30	M6	M3	1000	1.7	0.009
508	CS010092	8	30	5	35	M6	M3	1000	1.7	0.013
509	CS010093	10	30	7	37	M8	M3	1500	4.2	0.019
510	CS010094	12	30	7	37	M10	M4	2500	8.5	0.036
511	CS010095	15	35	7	42	M12	M5	3600	14.7	0.041
512	CS010096	18	35	9	44	M14	M6	4500	23.5	0.050
514	CS010098	20	40	10	50	M16	M6	6800	35.8	0.060
515	CS010099	25	45	14	59	M20	M8	10600	69.6	0.100
516	CS010100	30	50	18	68	M24	M10	15000	119.7	0.144
517	CS010101	35	60	25	85	M30	M12	21000	240.3	0.210
518	CS010102	40	80	30	110	M36	M16	25000	375.0	0.280