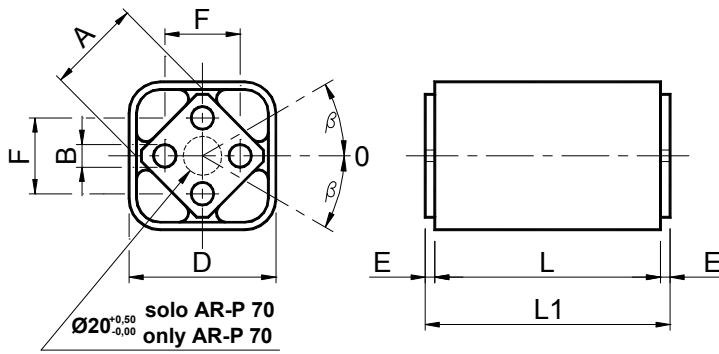
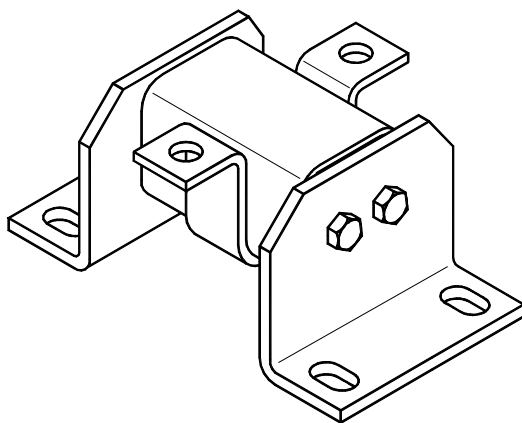


VIB 弹性组件 型号: AR-P / Elastic Components VIB Type: AR-P



| 型号 Type | 编号 N° | A | B | D | E | F | L | L1 ^{+0.0 -0.3} | 在不同角度*β的扭矩 Q 以 Nm 表示 Torque Q in Nm at *β | | | | | | 重量 Weight in kg |
|---------------|----------|----|-------------------------------|-------------------------------|-----|---------|-----|-----------------------------|--|-------|-------|-------|--------|--------|-----------------------|
| | | | | | | | | | 5° | 10° | 15° | 20° | 25° | 30° | |
| AR-P 20 x 25 | RE020065 | 15 | 5 ^{+0.50 +0.00} | 27 ^{+0.20 -0.10} | 2.5 | 10 ±0.2 | 25 | 30 | 0.7 | 1.6 | 2.5 | 3.8 | 5.4 | 7.8 | 0.07 |
| AR-P 20 x 40 | RE020066 | 15 | 5 ^{+0.50 +0.00} | 27 ^{+0.20 -0.10} | 2.5 | 10 ±0.2 | 40 | 45 | 1.1 | 2.5 | 4.0 | 6.1 | 8.7 | 12.5 | 0.11 |
| AR-P 20 x 60 | RE020067 | 15 | 5 ^{+0.50 +0.00} | 27 ^{+0.20 -0.10} | 2.5 | 10 ±0.2 | 60 | 65 | 1.6 | 3.8 | 6.0 | 9.2 | 13.0 | 18.8 | 0.17 |
| AR-P 30 x 30 | RE020070 | 18 | 6 ^{+0.50 +0.00} | 32 ^{+0.10 -0.20} | 2.5 | 12 ±0.3 | 30 | 35 | 1.8 | 4.2 | 7.0 | 10.5 | 14.3 | 19.5 | 0.11 |
| AR-P 30 x 50 | RE020071 | 18 | 6 ^{+0.50 +0.00} | 32 ^{+0.10 -0.20} | 2.5 | 12 ±0.3 | 50 | 55 | 3.0 | 7.0 | 11.7 | 17.5 | 23.8 | 32.5 | 0.18 |
| AR-P 30 x 80 | RE020072 | 18 | 6 ^{+0.50 +0.00} | 32 ^{+0.10 -0.20} | 2.5 | 12 ±0.3 | 80 | 85 | 4.8 | 11.2 | 18.9 | 28.0 | 38.2 | 52.0 | 0.28 |
| AR-P 40 x 40 | RE020075 | 27 | 8 ^{+0.50 +0.00} | 45 ^{+0.20 -0.10} | 2.5 | 20 ±0.4 | 40 | 45 | 4.7 | 10.2 | 16.5 | 25.6 | 37.6 | 54.2 | 0.28 |
| AR-P 40 x 60 | RE020076 | 27 | 8 ^{+0.50 +0.00} | 45 ^{+0.20 -0.10} | 2.5 | 20 ±0.4 | 60 | 65 | 6.8 | 15.3 | 24.8 | 38.4 | 56.4 | 81.3 | 0.39 |
| AR-P 40 x 100 | RE020077 | 27 | 8 ^{+0.50 +0.00} | 45 ^{+0.20 -0.10} | 2.5 | 20 ±0.4 | 100 | 105 | 11.8 | 25.5 | 41.2 | 64.0 | 94.0 | 135.5 | 0.65 |
| AR-P 50 x 60 | RE020080 | 38 | 10 ^{+0.50 +0.00} | 60 ^{+0.15 -0.30} | 5 | 25 ±0.4 | 60 | 70 | 12.4 | 29.0 | 48.2 | 74.0 | 107.5 | 153.5 | 0.65 |
| AR-P 50 x 80 | RE020081 | 38 | 10 ^{+0.50 +0.00} | 60 ^{+0.15 -0.30} | 5 | 25 ±0.4 | 80 | 90 | 16.5 | 38.7 | 64.3 | 98.7 | 143.4 | 204.7 | 0.84 |
| AR-P 50 x 120 | RE020082 | 38 | 10 ^{+0.50 +0.00} | 60 ^{+0.15 -0.30} | 5 | 25 ±0.4 | 120 | 130 | 24.7 | 58.0 | 96.4 | 148.0 | 215.0 | 307.0 | 2.10 |
| AR-P 60 x 80 | RE020085 | 45 | 12 ^{+0.50 +0.00} | 72 ^{+0.15 -0.30} | 5 | 35 ±0.5 | 80 | 90 | 26.4 | 60.0 | 98.6 | 152.4 | 210.5 | 302.0 | 1.12 |
| AR-P 60 x 100 | RE020086 | 45 | 12 ^{+0.50 +0.00} | 72 ^{+0.15 -0.30} | 5 | 35 ±0.5 | 100 | 110 | 33.0 | 75.0 | 123.2 | 190.5 | 263.1 | 377.5 | 1.25 |
| AR-P 60 x 150 | RE020087 | 45 | 12 ^{+0.50 +0.00} | 72 ^{+0.15 -0.30} | 5 | 35 ±0.5 | 150 | 160 | 49.5 | 112.5 | 184.8 | 285.8 | 394.6 | 566.3 | 1.95 |
| AR-P 70 x 120 | RE020090 | 50 | M12x40 | 78 ^{+0.15 -0.30} | 5 | 40 ±0.5 | 120 | 130 | 50.0 | 121.0 | 225.0 | 356.0 | 513.0 | 741.0 | 1.97 |
| AR-P 70 x 200 | RE020091 | 50 | M12x40 | 78 ^{+0.15 -0.30} | 5 | 40 ±0.5 | 200 | 210 | 100.0 | 237.0 | 428.0 | 670.0 | 963.0 | 1378.0 | 3.35 |
| AR-P 70 x 300 | RE020092 | 50 | M12x40 | 78 ^{+0.15 -0.30} | 5 | 40 ±0.5 | 300 | 310 | 147.0 | 350.0 | 630.0 | 990.0 | 1431.0 | 2052.0 | 4.58 |



型号 AR-P 配 SR 和 SB 夹具
Type AR-P with SR and SB clamp

材料

外壳为钢制，内部方管为铝制拉丝。

处理

外壳为烤炉涂漆，内管由 RAL 涂漆覆盖。

固定

在中心轴以螺钉固定，以保证稳固不移动的安装。如左图例所示，也可使用 SB 和 SR 型的夹具。这项产品尤其适用于交替和振荡运动。

MATERIAL

The external body is made of steel while the inner square is made of light alloy profile.

TREATMENTS

The external body is oven-painted while the inner square is covered with a RAL varnish.

FITTING

The central pin is fixed with screws for more stable and safe assembly. SB and SR-type clamps can also be used (see side example). This product is ideal for alternating and oscillating movements.