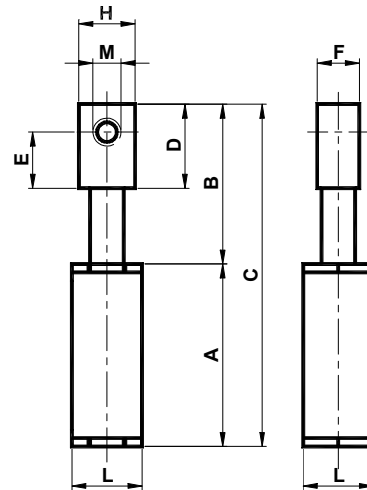


## Tendeur Asso type SE / Asso Tensioner type SE



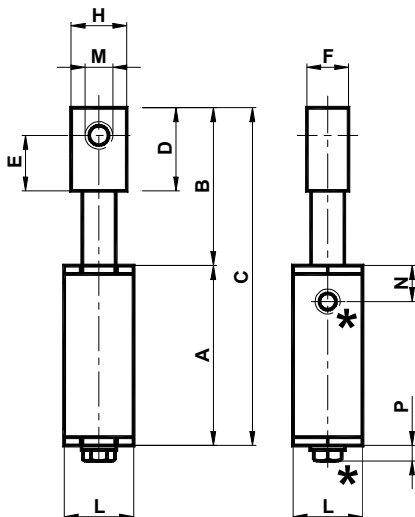
Elément tendeur à colonne simple. Le corps carré est en aluminium, la colonne et le bouchon en acier zingué, l'anneau en laiton et la plaque en acier zingué.

*Tensioner element with single pin. The square body is made in aluminium; the pin and the cap are in galvanized steel. The bushing is in brass. The plaque is in galvanized steel.*



| Type Type | code     | A    | B  | C     | D  | E  | F  | H  | L  | M   | N  | P   | Newton | Poids Weight en kg | Type Type | code     |
|-----------|----------|------|----|-------|----|----|----|----|----|-----|----|-----|--------|--------------------|-----------|----------|
| SE1-8     | AS010525 | 59   | 57 | 116   | 30 | 20 | 15 | 20 | 25 | M 8 | 18 | /   | 0-140  | 0.22               | SEB1-8    | AS010540 |
| SE1-10    | AS010526 | 59   | 57 | 116   | 30 | 20 | 15 | 20 | 25 | M10 | 18 | /   | 0-140  | 0.20               | SEB1-10   | AS010541 |
| SE1-16    | AS010527 | 59   | 57 | 116   | 30 | 20 | 15 | 30 | 25 | M16 | 18 | /   | 0-140  | 0.25               | SEB1-16   | AS010542 |
| SE2-10    | AS010528 | 71   | 65 | 136   | 30 | 20 | 15 | 20 | 30 | M10 | 20 | /   | 0-210  | 0.31               | SEB2-10   | AS010543 |
| SE2-16    | AS010529 | 71   | 65 | 136   | 30 | 20 | 15 | 30 | 30 | M16 | 20 | /   | 0-210  | 0.34               | SEB2-16   | AS010544 |
| SE3-12    | AS010530 | 92.5 | 72 | 164.5 | 30 | 20 | 15 | 20 | 35 | M12 | /  | 7.1 | 0-400  | 0.49               | SEB3-12   | AS010545 |
| SE3-16    | AS010531 | 92.5 | 72 | 164.4 | 30 | 20 | 15 | 30 | 35 | M16 | /  | 7.1 | 0-400  | 0.52               | SEB3-16   | AS010546 |

## Tendeur Asso type SEB / Asso Tensioner type SEB avec vis de pré-tension/ with preloading screw



Elément tendeur à colonne simple. Le corps carré est en aluminium, la colonne et le bouchon en acier zingué et l'anneau en laiton. La plaque est en acier zingué. L'élément tendeur SEB a une vis de pré-tension (vis STEI (N) taille 1 et 2 et une vis TE (P) taille 3) pour faciliter les opérations de montage.

*Tensioner element with single pin. The square body is made in aluminium; the pin and the cap are in galvanized steel. The bushing is in brass. The plaque is in galvanized steel. The SEB tensioner element has a preloading screw (STEI screw (N) in the sizes 1 and 2; TE screw (P) in the size 3) to make more easy the assembly operations.*

\*Vis de pré-tension/ Preloading screw