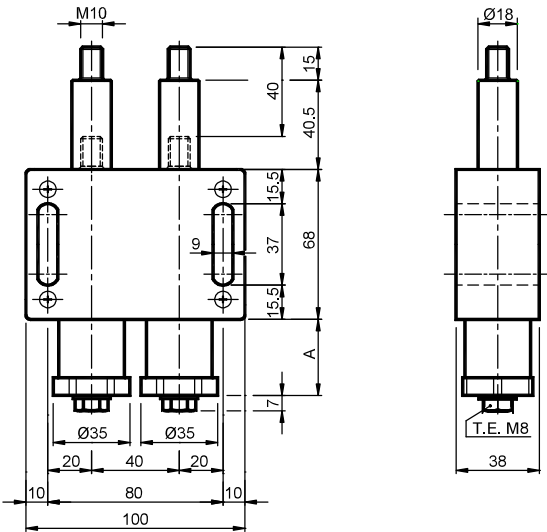


TEN BLOC 弹簧式弹性组件 – 型号: TB80 A / TB80 F

Elastic spring Elements **TEN BLOC** – Type: **TB80 A / TB80 F**

TB 80 A



材料 内部主体为铝制。外部金属板、圆柱、圆筒、螺钉和弹簧均为钢制。

处理 喷砂铝，圆柱、圆筒和螺钉为镀锌钢，粗加工弹簧涂油。

应用 带槽盒状主体的弹簧式弹性组件。链条或皮带的游隙通过弹簧的运动自动补偿。这个组件的力量为单组件的两倍。在张紧装置的堵盖上已配备用于预加压操作的螺钉。

C: 张紧装置行程 40mm。

MATERIALS Inner bodies made of aluminium. External plates, columns, cylinders, screws and springs made of steel.

TREATMENTS Painted plates. Columns, cylinders and screws made of galvanized steel, greased raw spring.

USE Elastic spring element with external structured steel. The recover of chain- or belt-slack takes place automatically through the spring action. The force of this element is twice that of a single element. The screws that come out from the caps of the tensioner are used for the operations of preloading.

C: Tightener travel: 40 mm.



型号 Type	编号 N°	A	Newton	重量 Weight in Kg	型号 Type	编号 N°
TB80 A 2•10	TB013160	25.0	0 ÷ 200	1.10	TB80 F 2•10	TB013170
TB80 A 2•20	TB013161	25.0	0 ÷ 340	1.10	TB80 F 2•20	TB013171
TB80 A 2•30	TB013162	25.0	0 ÷ 500	1.10	TB80 F 2•30	TB013172
TB80 A 2•40	TB013163	56.5	0 ÷ 800	1.30	TB80 F 2•40	TB013173



TB 80 F



材料 内部主体为铝制。外部金属板、圆柱、圆筒、螺钉和弹簧均为钢制。

处理 金属板涂漆。圆柱、圆筒和螺钉镀锌，粗加工弹簧涂油。

应用 带孔盒状主体的弹簧式弹性组件。链条或皮带的游隙通过弹簧的运动自动补偿。这个组件的力量为单组件的两倍。在张紧装置的堵盖上已配备用于预加压操作的螺钉。C: 张紧装置行程 40mm。

MATERIALS Inner bodies made of aluminium. External plates, columns, cylinders, screws and springs made of steel.

TREATMENTS Painted plates. Columns, cylinders and screws made of galvanized steel, greased raw spring.

USE Elastic spring element with external structured steel. The recover of chain- or belt-slack takes place automatically through the spring action. The force of this element is twice that of a single element. The screws that come out from the caps of the tensioner are used for the operations of preloading.

C: Tightener travel: 40mm.

