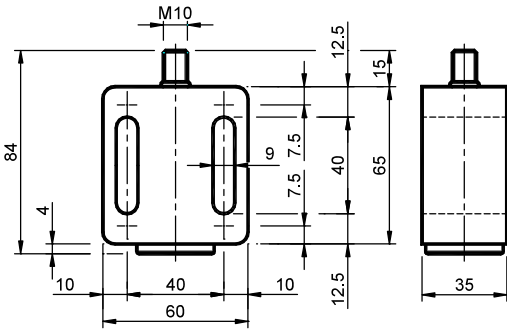


固定组件 TEN BLOC – 型号: TF / Fixed Elements TEN BLOC – Type: TF



材料 主体为铝制。堵盖为塑料制。螺钉为钢制。

处理 喷砂铝，螺钉为粗加工。

应用 固定组件型号 TF。不配备内部弹簧的手动张紧装置。链条或皮带游隙的补偿应通过对两个固定槽的行程进行手工调整。

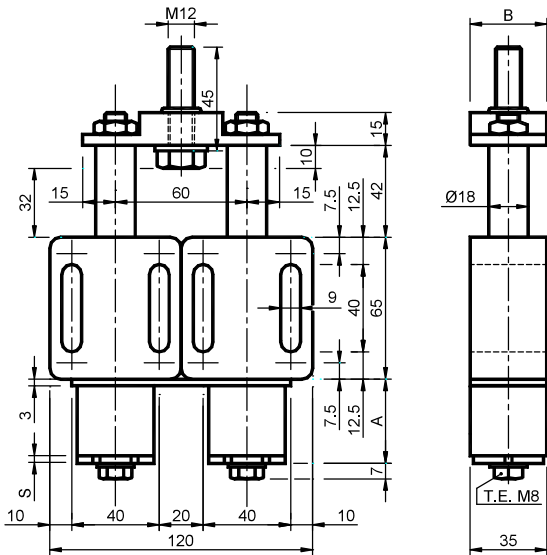
MATERIALS Body made of aluminium. Cap made of plastic. Screw made of steel.
TREATMENTS Sandblasted aluminium. Screw at raw state.
USE Fixed Element Type TF. Manual tensioner device without internal spring. The recovery of the slack of the chain or of the belt must be done manually by running the two fixing holes.



编号 TB012990 重量/Weight: 0.24

TEN BLOC 弹簧式弹性组件 – 型号: 2TB

Elastic spring Elements TEN BLOC – Type: 2TB



材料 主体为铝制。轴承为黄铜制。阶形连接部件，连接部件、圆柱、堵盖、圆筒、螺钉和弹簧均为钢制。

处理 喷砂铝，局部为镀锌钢，粗加工弹簧涂油。**应用** “双”弹簧弹性组件。链条或皮带的游隙通过弹簧的运动自动补偿。这个组件的力量为单组件的两倍。从张紧装置堵盖中伸出的螺钉用于预加压操作。

C: 张紧装置行程 32 mm。

MATERIALS Body made of aluminium with brushing made of brass. Stair, union, columns, caps, cylinders, plate, screws and springs made of steel.
TREATMENTS Sandblasted aluminium, components made of galvanized steel, greased raw spring.
USE “Double” spring elastic element. The recover of chain- or belt- slack takes place automatically through the spring action. The force of this element is twice that of a single element. The screws that come out from the caps of the tensioner are used for the operations of preloading.
C: Tightener travel: 32 mm.



型号 Type	编号 N°	A	B	S	Newton	重量 Weight in Kg
TB 2•40	TB013143	31.5	35	3.5	200 ÷ 800	1.40
TB 2•50	TB013144	73.0	35	10.0	360 ÷ 1400	1.86
TB 2•60	TB013145	81.5	35	3.5	440 ÷ 2000	1.93
TB 2•70	TB013146	163.0	35	10.0	680 ÷ 3000	2.75

使用第 55 页的配件 2V 安装: / Assembled with the 2V kit of page 55:

型号	B	型号	B	型号	B
2V 2•40-5 S	20	2V 2•40-5 D	35	2V 2•40-5 T	35
2V 2•40-6 S	20	2V 2•40-6 D	35	2V 2•40-6 T	35
2V 2•50-7 S	25	2V 2•50-7 D	35	2V 2•50-7 T	35
2V 2•50-8 S	25	2V 2•50-8 D	35		
2V 2•60-9 S	25	2V 2•60-9 D	35		

