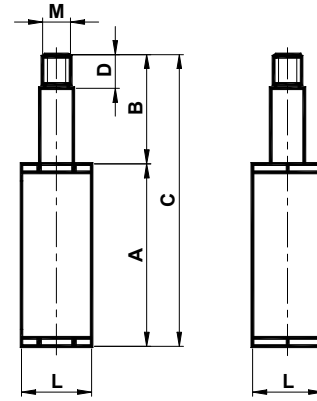


Asso 张紧装置 型号 **SB** / Asso Tensioner type **SB**



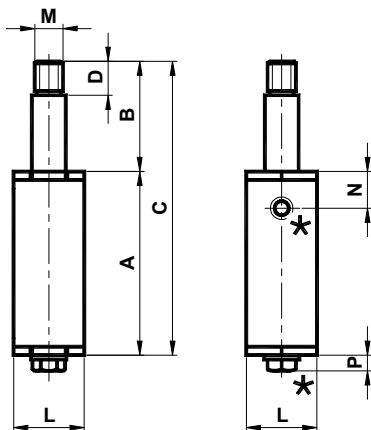
具单柱张紧装置组件。方形主体为铝制；方柱和帽为镀锌钢制。轴衬为黄铜制。

Tensioner element with single pin. The square body is made in aluminium; the pin and the cap are in galvanized steel. The bushing is in brass.

型号 Type	编号	A	B	C	D	L	M	N	P	Newton	重量 Weight [Kg]	型号 Type	编号
SB1	AS010470	59	39	98	12	25	M10	21	/	0-140	0.16	SBB1	AS010480
SB2	AS010471	71	50	121	15	30	M10	23	/	0-210	0.25	SBB2	AS010481
SB3	AS010472	92.5	57	149.5	15	35	M10	/	7.1	0-400	0.43	SBB3	AS010482

Asso 张紧装置 型号 **SBB** / Asso Tensioner type **SBB**

具预加负荷用螺钉 / with preloading screw



具单柱张紧装置组件。方形主体为铝制；方柱、联接部分、方柱和帽为镀锌钢制。轴衬为黄铜制。SBB 张紧装置组件具预加负荷用螺钉(尺寸 1 和 2, STEI (N)螺钉；尺寸 3, TE (P) 螺钉)，以便简化安装操作。

Tensioner element with single pin. The square body is made in aluminium; the pin and the cap are in galvanized steel. The bushing is in brass. The SBB tensioner element has a preloading screw (STEI screw (N) in the sizes 1 and 2; TE screw (P) in the size 3) to make more easy the assembly operations.

\* 预加负荷用螺钉 / Preloading screw