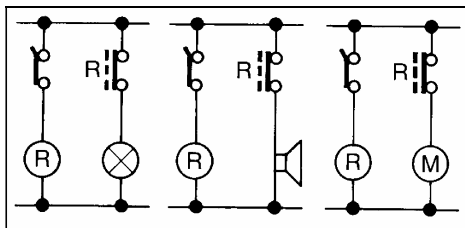
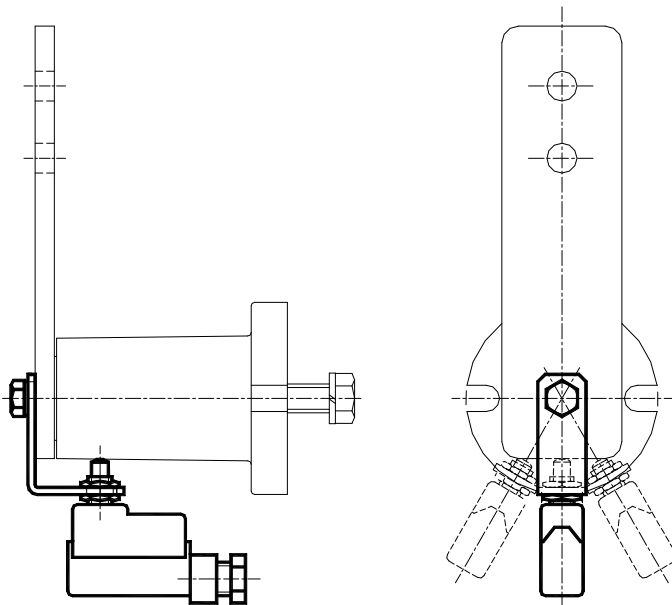


附件 / Accessories


具电子限位开关的弹性组件 – 型号: FM /


Elastic elements with travel-end switch – Type: FM



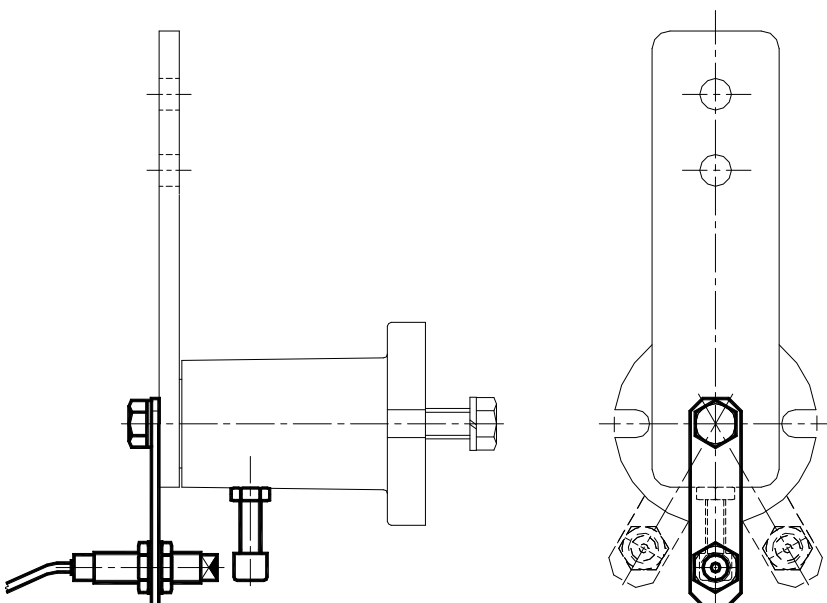
电子线路 – Electrical diagram
 Elektrischem diagramm

型号 Type	编号 N°
FM 10	RE011065
FM 20	RE011066
FM 30	RE011067
FM 40	RE011068
FM 50	RE011069
FM 60	RE011070
FM 70	RE011071

 在有意监控机器正确运转或保证操作人员的安全时，电子限位开关“FM”和感应开关“FPI”尤其有用。参见电子线路。

 The electric limit switch “FM” or inductive limit switch “FPI” are particularly useful when you have to control the correct operation of the machine and/or ensure operator safety. See wiring diagram.

具电子感应式限位开关的弹性组件 – 型号: FPI / Elastic elements with travel-end switch – Type: FPI



型号 Type	编号 N°
FPI 10	RE011075
FPI 20	RE011076
FPI 30	RE011077
FPI 40	RE011078
FPI 50	RE011079
FPI 60	RE011080
FPI 70	RE011081