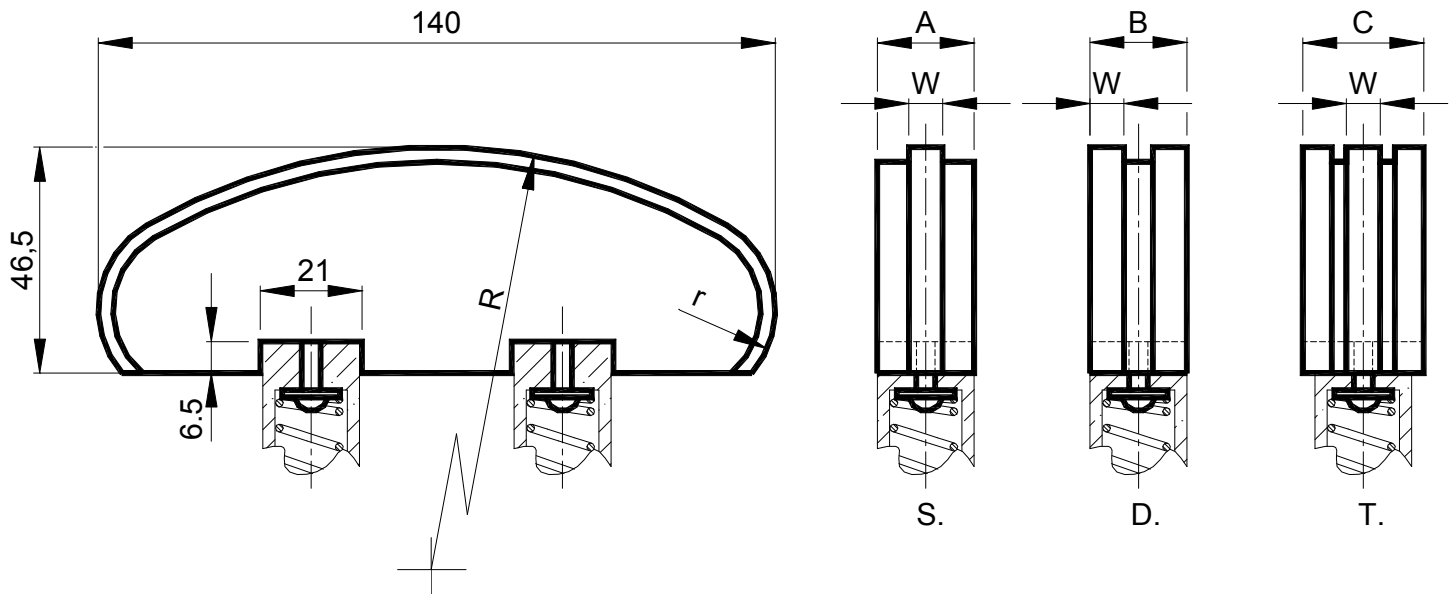
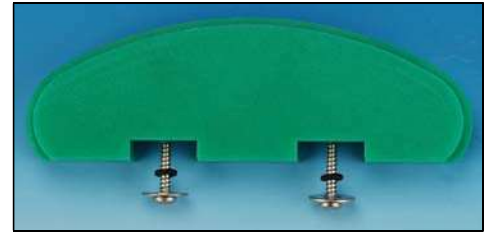


## 链条张紧装置配套元件 / KIT for chain tighteners

聚乙烯滑块 – 型号: VG / Polyethylene sliding block – Type: VG /

配套元件由高分子密度聚乙烯滑块和不锈钢螺栓组成。工作速度  $\leq 20$  米 / 分。滑块工作温度  $\leq 70^{\circ}\text{C}$ 。适用于大轴距或室外使用。

The KIT is made up by a polyethylene sliding block with high modular density with bolts in stainless steel. Operating speed  $\leq 20\text{m/min}$ . Sliding block operating temperature  $\leq 70^{\circ}\text{C}$ . It is suitable for big interaxis and for use in outside environment.



型号 Type	S 编号 N°	D 编号 N°	T 编号 N°	链条 Chain	尺寸 Size	r	R	A	B	C	W	重量 Weight in Kg		
												S.	D.	T.
VG 2•10-0	BL010500	BL010520	BL010540	8 mm	2•10	20	120	20	20	20	2.5	0.07	0.07	0.09
VG 2•10-1	BL010502	BL010522	BL010542	3/8"x7/32"	2•10	20	120	20	20	25	5	0.08	0.08	0.10
VG 2•20-1	BL010502	BL010522	BL010542	3/8"x7/32"	2•20	20	120	20	20	25	5	0.08	0.08	0.10
VG 2•20-2	BL010504	BL010524	BL010544	1/2"x5/16"	2•20	20	120	20	20	35	7	0.08	0.08	0.10
VG 2•30-2			BL010544	1/2"x5/16"	2•30	20	120			35	7			0.10
VG 2•20-3	BL010506	BL010526	BL010546	5/8"x3/8"	2•20	20	140	20	25	42	9	0.10	0.12	0.3
VG 2•30-3	BL010506	BL010526	BL010546	5/8"x3/8"	2•30	20	140	20	25	42	9	0.10	0.12	0.3
VG 2•30-4	BL010508	BL010528	BL010548	3/4"x7/16"	2•30	20	140	20	30	50	11	0.12	0.25	0.35
VG 2•30-5	BL010510	BL010530	BL010550	1"x17.02 mm	2•30	20	160	25	45	80	16	0.20	0.50	0.8