

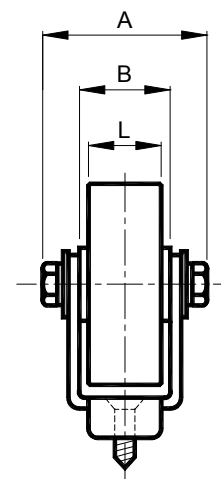
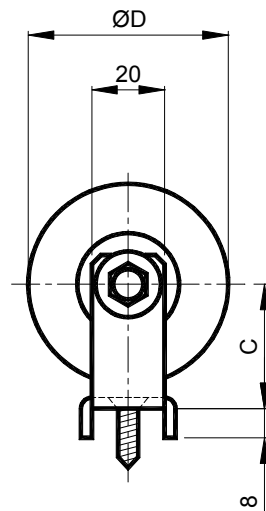
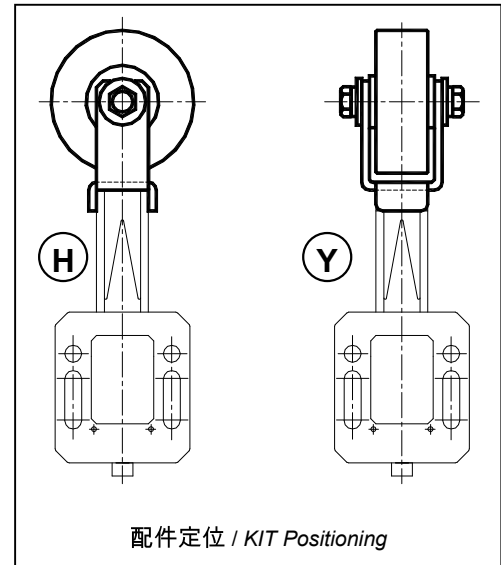
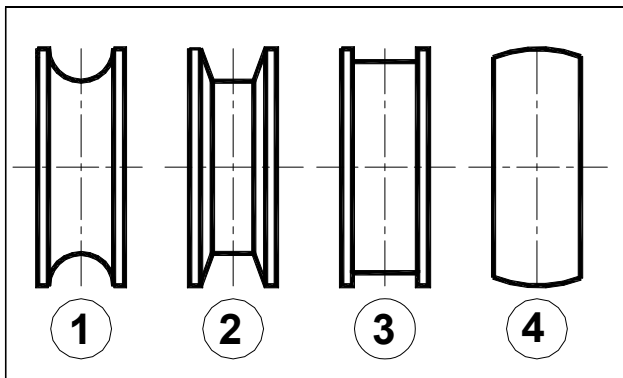
皮带张紧装置配套元件 / KIT for belt tighteners

具特殊用途的滚轮 – 型号: FG

Rollerset for special applications – Type: FG

配套元件由一个镀锌钢支架和空转轮组成。聚酰胺滚轮在润滑轴承上安装。滚轮工作温度 $\leq 80^{\circ}\text{C}$ 。客户应指定安装定位 (H 或 Y)，否则将以操作方式 H 提供。见所要求尺寸和轮廓的不同操作方式 (1,2,3,4)。

The KIT is made up by a painted steel fork with idle rollerset. The polyamid rollerset is installed on greased bearings. Operating temperature of the rollerset $< 80^{\circ}\text{C}$. Please specify the positioning (H or Y), otherwise it will be supplied with H execution. Executions with dimensions and profiles on request (1,2,3,4).



| 聚酰胺滚轮 Rollerset in polyamid | | 尺寸 Size | A | B | C | ØD | L | 重量 Weight in Kg |
|--------------------------------|----------|------------|----|----|----|----|----|-----------------------|
| 型号 Type | 编号 N° | | | | | | | |
| FG 10-A | BL010300 | 10 | 45 | 25 | 34 | 55 | 20 | 0.16 |
| FG 20-A | BL010300 | 20 | 45 | 25 | 34 | 55 | 20 | 0.16 |
| FG 20-B | BL010302 | 20 | 55 | 35 | 34 | 55 | 30 | 0.21 |
| FG 30-B | BL010302 | 30 | 55 | 35 | 34 | 55 | 30 | 0.21 |
| FG 30-C | BL010304 | 30 | 65 | 45 | 34 | 55 | 40 | 0.26 |