

皮带张紧装置配套元件 / KIT for belt-tighteners

具保护层的聚酰胺滚轮 – 型号: **FPX** / 具保护层的不锈钢滚轮 – 型号: **FUX**

Rollerset in polyamid with protective shields – Type: **FPX** / Rollerset in stainless steel with protective shields – Type: **FUX**



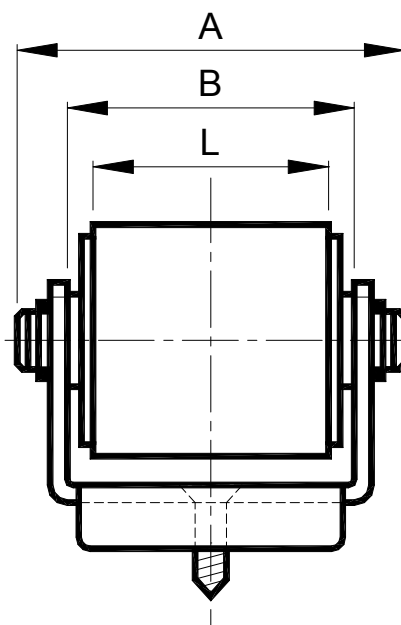
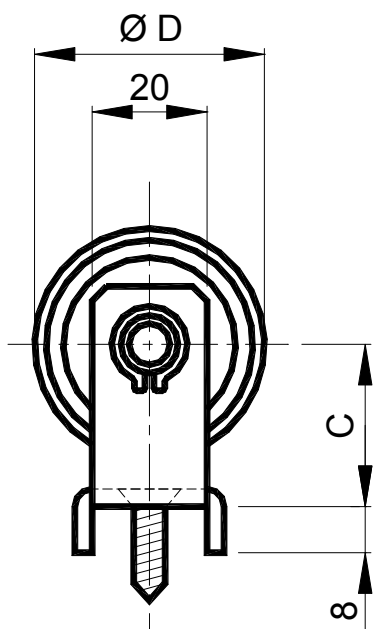
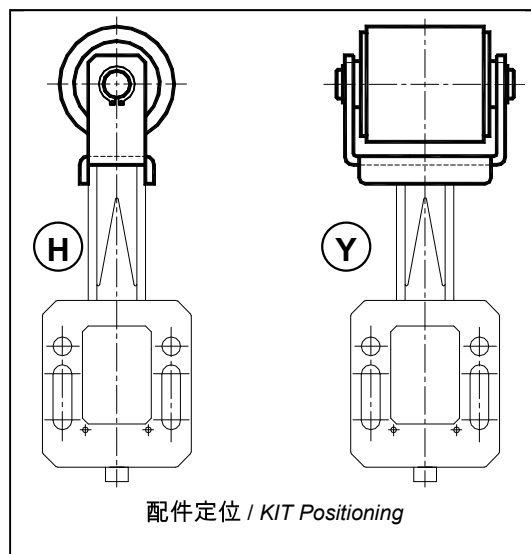
FPX



FUX

配套元件由一个不锈钢制支架和空转轮组成。滚轮可为聚酰胺(FPX)或不锈钢(FUX)。具双面保护层，在润滑轴承上安装。适于室外使用。滚轮工作温度 $\leq 80^{\circ}\text{C}$ 。客户应指定安装定位 (H 或 Y)，否则将以操作方式 H 提供。

The kit is made up by a stainless steel fork with idle rollerset. The rollerset can be in polyamid (FPX) or in stainless steel (FUX). It has the protective shields on both side and it is installed on greased bearings. They are suitable for use in outside enviroment. Operating temperature of the rollersets $\leq 80^{\circ}\text{C}$. Please specify the positioning (H o Y), otherwise it will be supplied with H execution.



具保护层聚酰胺滚轮

Rollerset in polyamid with shields

具保护层不锈钢滚轮

Rollerset in stainless steel with shields

型号 Type	编号 N°	重量 Weight in Kg	A	B	C	Ø D	L	尺寸 Size	型号 Type	编号 N°	重量 Weight in Kg
FPX 10-1	BL010280	0.20	54	42	23	30	35	10	FUX 10-1	BL010282	0.30
FPX 20-1	BL010280	0.20	54	42	23	30	35	20	FUX 20-1	BL010282	0.30
FPX 20-2/3	BL010290	0.30	72	58	28	40	45	20	FUX 20-2/3	BL010292	0.60
FPX 30-2/3	BL010290	0.30	72	58	28	40	45	30	FUX 30-2/3	BL010292	0.60