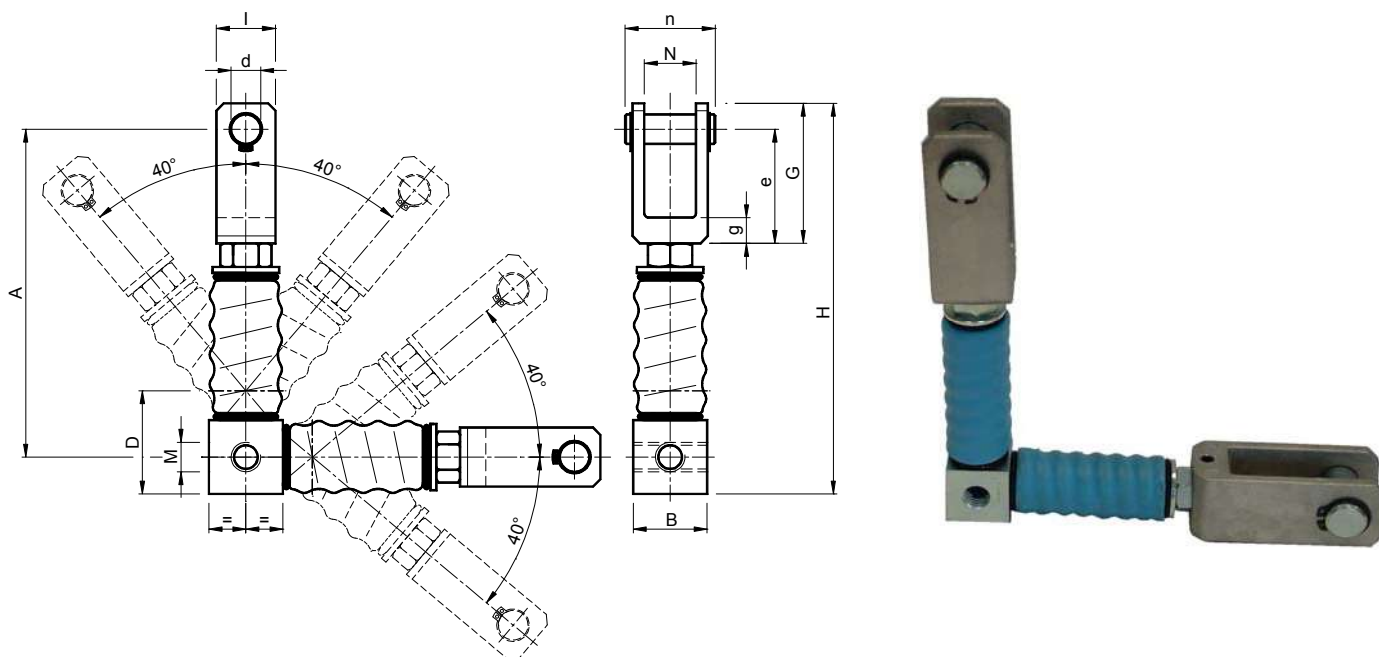


弹性组件 – 型号: **AFGV ±40°** / *Elastic Elements ARCO – Type: AFGV (±40°)*


**材料** 钢。保护套为绝缘橡胶。支架可为铝制或钢制。

**处理** 钢制部分镀锌。内部弹簧为粗加工经涂油处理。铝制支架喷砂，钢制支架涂漆。

**应用** 扭转角度 ±40°。

工作温度从-30°C 到+60°C。

**英国 MATERIALS** Steel. Covering gaiter in insulated rubber.

The fork can be made of aluminium or steel. Rotation pin made of brass.

**TREATMENTS** The steel parts are galvanized. The spring inside is raw oiled. The fork is sandblasted or painted.

**USE** Rotation angle ±40°.

Working temperature -30°C a +60°C.

型号 Type	编号 N°	A	B	D	G	H	I	M	N	d	e	g	n	Newton 0° ÷ 40°	重量 Weight in Kg
AFGV 10 S	AR070452	116.5	25	35	75	144	30	M8	19	16	60	15	40	0 ÷ 60	0.65
AFGV 10 D	AR070457	116.5	25	35	75	144	30	M8	37	16	60	15	60	0 ÷ 60	0.75
AFGV 20 S	AR070462	139.5	25	35	75	167	30	M10	19	16	60	15	40	0 ÷ 100	0.76
AFGV 20 D	AR070467	139.5	25	35	75	167	30	M10	37	16	60	15	60	0 ÷ 100	0.85
AFGV 30 S	AR070472	139.5	25	35	75	167	30	M12	19	16	60	15	40	0 ÷ 190	0.75
AFGV 30 D	AR070477	139.5	25	35	75	167	30	M12	37	16	60	15	60	0 ÷ 190	0.85
AFGV 40 S	AR070482	177.5	35	50	85	210	30	M16	19	16	70	15	45	0 ÷ 500	0.16
AFGV 40 D	AR070487	177.5	35	50	85	210	30	M16	37	16	70	15	65	0 ÷ 500	1.75
AFGV 50 S	AR070492	222.5	50	70	95	265	40	M20	19	20	77.5	17.5	45	0 ÷ 1100	5.00
AFGV 50 D	AR070497	222.5	50	70	95	265	40	M20	51	20	77.5	17.5	77	0 ÷ 1100	6.10
AFGV 60 S	AR070502	290	70	95	125	345	50	M24	34	20	105	20	60	0 ÷ 1800	13.40
AFGV 60 D	AR070507	290	70	95	125	345	50	M24	85	20	105	20	115	0 ÷ 1800	14.40