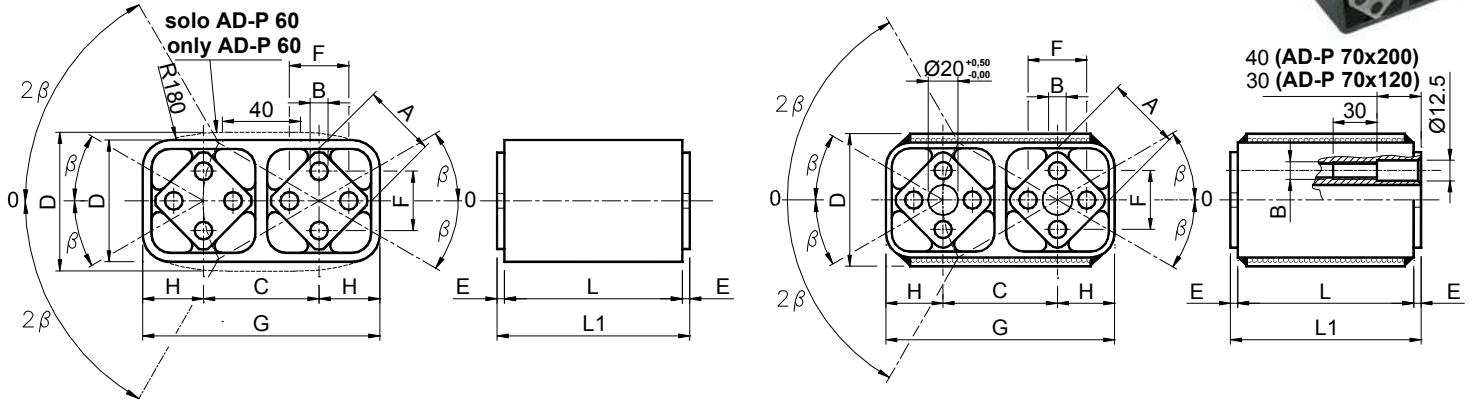


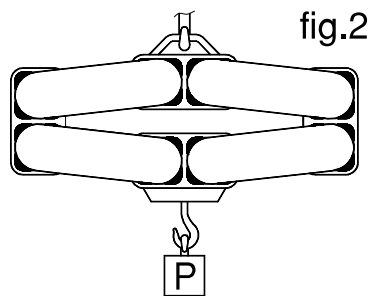
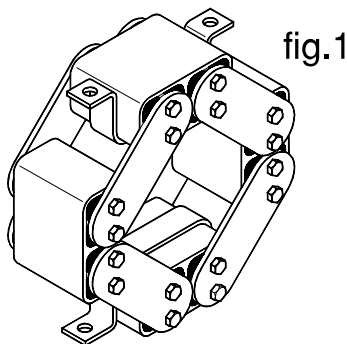
VIB 弹性组件 型号: AD-P / Elastic Components VIB Type: AD-P



尺寸 20, 30, 40, 50 和 60 / SIZES 20, 30, 40, 50 and 60

尺寸 70 / SIZE 70

型号 Type	编号 N°	A	B	C	D	E	F	G	H	L	L1 ^{+0.0 -0.3}	在不同角度 * β 的扭矩 Q 以 Nm 表示 Torque Q in Nm at * β						重量 Weight in kg
												5°	10°	15°	20°	25°	30°	
AD-P 20 x 25	RE020315	15	5 ^{+0.50 +0.00}	25.5	28 ±0.15	2.5	10 ±0.2	53.5±0.20	13.5	25	30	0.7	1.6	2.5	3.8	5.4	7.8	0,07
AD-P 20 x 40	RE020316	15	5 ^{+0.50 +0.00}	25.5	28 ±0.15	2.5	10 ±0.2	53.5±0.20	13.5	40	45	1.1	2.5	4.0	6.1	8.7	12.5	0,10
AD-P 20 x 60	RE020317	15	5 ^{+0.50 +0.00}	25.5	28 ±0.15	2.5	10 ±0.2	53.5±0.20	13.5	60	65	1.6	3.8	6.0	9.2	13.0	18.8	0,15
AD-P 30 x 30	RE020320	18	6 ^{+0.50 +0.00}	31	34 ±0.15	2.5	12 ±0.3	65 ^{+0.20 +0.00}	16	30	35	1.8	4.2	7.0	10.5	14.3	19.5	0,12
AD-P 30 x 50	RE020321	18	6 ^{+0.50 +0.00}	31	34 ±0.15	2.5	12 ±0.3	65 ^{+0.20 +0.00}	16	50	55	3.0	7.0	11.7	17.5	23.8	32.5	0,20
AD-P 30 x 80	RE020322	18	6 ^{+0.50 +0.00}	31	34 ±0.15	2.5	12 ±0.3	65 ^{+0.20 +0.00}	16	80	85	4.8	11.2	18.9	28.0	38.2	52.0	0,30
AD-P 40 x 40	RE020325	27	8 ^{+0.50 +0.00}	44	47 ±0.15	2.5	20 ±0.4	91 ^{+0.20 +0.00}	22.5	40	45	4.7	10.2	16.5	25.6	37.6	54.2	0,32
AD-P 40 x 60	RE020326	27	8 ^{+0.50 +0.00}	44	47 ±0.15	2.5	20 ±0.4	91 ^{+0.20 +0.00}	22.5	60	65	6.8	15.3	24.8	38.4	56.4	81.3	0,47
AD-P 40 x 100	RE020327	27	8 ^{+0.50 +0.00}	44	47 ±0.15	2.5	20 ±0.4	91 ^{+0.20 +0.00}	22.5	100	105	11.8	25.5	41.2	64.0	94.0	135.5	0,78
AD-P 50 x 60	RE020330	38	10 ^{+0.50 +0.00}	60	63 ±0.20	5	25 ±0.4	123 ^{+0.30 +0.00}	30	60	70	12.4	29.0	48.2	74.0	107.5	153.5	0,87
AD-P 50 x 80	RE020331	38	10 ^{+0.50 +0.00}	60	63 ±0.20	5	25 ±0.4	123 ^{+0.30 +0.00}	30	80	90	16.5	38.7	64.3	98.7	143.4	204.7	1,15
AD-P 50 x 120	RE020332	38	10 ^{+0.50 +0.00}	60	63 ±0.20	5	25 ±0.4	123 ^{+0.30 +0.00}	30	120	130	24.7	58.0	96.4	148.0	215.0	307.0	1,68
AD-P 60 x 80	RE020335	45	12 ^{+0.50 +0.00}	73	85 ±0.20	5	35 ±0.5	149.4 ^{+1.60 +0.40}	36	80	90	26.4	60.0	98.6	152.4	210.5	302.0	1,85
AD-P 60 x 100	RE020336	45	12 ^{+0.50 +0.00}	73	85 ±0.20	5	35 ±0.5	149.4 ^{+1.60 +0.40}	36	100	110	33.0	75.0	123.2	190.5	263.1	377.5	2,25
AD-P 60 x 150	RE020337	45	12 ^{+0.50 +0.00}	73	85 ±0.20	5	35 ±0.5	149.4 ^{+1.60 +0.40}	36	150	160	49.5	112.5	184.8	285.8	394.6	566.3	3,35
AD-P 70 x 120	RE020340	50	M12	78	90 ±0.20	5	40 ±0.5	156 ^{+0.40 +0.00}	39	120	130	50.0	121.0	225.0	356.0	513.0	741.0	5,95
AD-P 70 x 200	RE020341	50	M12	78	90 ±0.20	5	40 ±0.5	156 ^{+0.40 +0.00}	39	200	210	100.0	237.0	428.0	670.0	963.0	1378.0	9,82



材料

尺寸从 20 至 60, 外壳和内部方形管均为铝制。尺寸为 70, 外壳为钢制, 内部方形管为铝制拉丝。

处理

外壳为烤炉涂漆, 为不改变容限, 内管由 RAL 涂漆覆盖。

AD-P 组件的用途众多, 可用于悬架的制造 (图 1), 或者通过改变手柄的倾斜角度, 可用于悬挂负载钩的弹性支撑 (图 2)。

MATERIALS

From size 20 to 60 external body and inner squares are made out of light alloy profile. Size 70 external body is made of steel while inner squares are made out of light alloy profile.

TREATMENTS

The external body is oven-painted while the inner squares are covered with a RAL varnish.

The AD-P elements are multi-purpose and can be used for the assembly of suspensions (fig.1) or, by changing the angle of the levers, as elastic hook supports for suspended loads (fig.2).