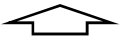
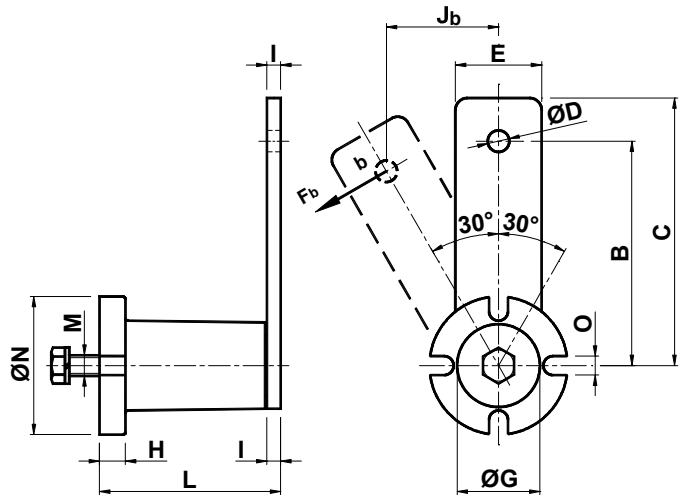


**PX 塑料张紧装置 / PX Plastic tensioners**

PX 张紧装置最适合在潮湿或腐蚀环境中工作。 / The PX tighteners are suitable to work in wet or corrosive places.



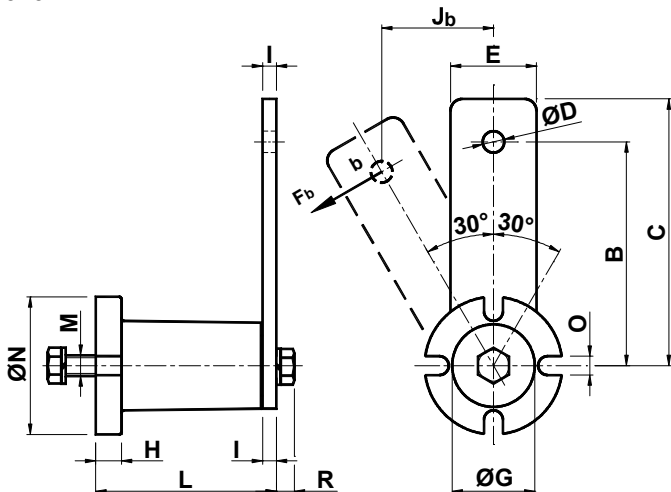
型号 Type	编号 n°	B	F <sub>b</sub>	C	ØD	E	ØG	H	I	L	M	ØN	O	R	重量 Weight [Kg]	编号 n°	型号 Type
PX 10	RE010910	80	85	90	8.5	24	20	6	7	52 <sup>+1.5</sup> <sub>-0.5</sub>	M 6x 20	40	7	7.5	0.10	RE010911	PX 10 R
PX 20	RE010920	100	136	112.5	10.5	30	30	8	8	66 <sup>+1.5</sup> <sub>-0.5</sub>	M 8x 25	50	9	9.2	0.20	RE010921	PX 20 R
PX 30	RE010930	100	340	115	10.5	36	35	10	8	79 <sup>+1.5</sup> <sub>-0.5</sub>	M10x 30	60	9	10.5	0.26	RE010931	PX 30 R
PX 40	RE010940	130	790	155	12.5	50	48	15	10	108 <sup>+2.0</sup> <sub>-0.5</sub>	M12x 40	80	11	10.5	0.72	RE010941	PX 40 R

F<sub>b</sub>: 配件在孔 b 内安置时由张紧装置所施加的力量。 / Force made by the tensioner with the Kit positioned in the b hole



**PX-R 塑料张紧装置 / PX-R plastic tensioners**

PX-R 张紧装置最适合在潮湿或腐蚀环境中工作。PX-R 型具一个另加的加强螺钉，建议在存在与手柄操作平面垂直力量的情况下使用。 / The PX-R tighteners are suitable to work in wet or corrosive places. The PX-R type has an additional reinforcing screw, and it is advised in the case there are forces that are orthogonal with respect to the operating record of the lever.



张紧装置PX和PX-R采用塑性材料制成，具金属内置物，适合在潮湿或腐蚀环境中工作。在两个方向可接受的最高扭转角度为30°。所有的PX和PX-R均配备不锈钢螺钉螺栓。

The PX and PX-R tighteners are made of plastic material with metal inserts and they are suitable to work in wet or corrosive places. The maximum acceptable rotation angle is of 30° in both the directions. All the PX and PX-R are delivered with Inox bolts and screws.