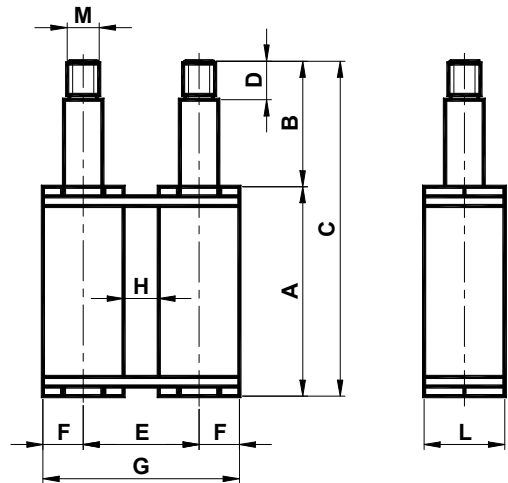


Asso 张紧装置 型号 **AB** / Asso Tensioner type **AB**



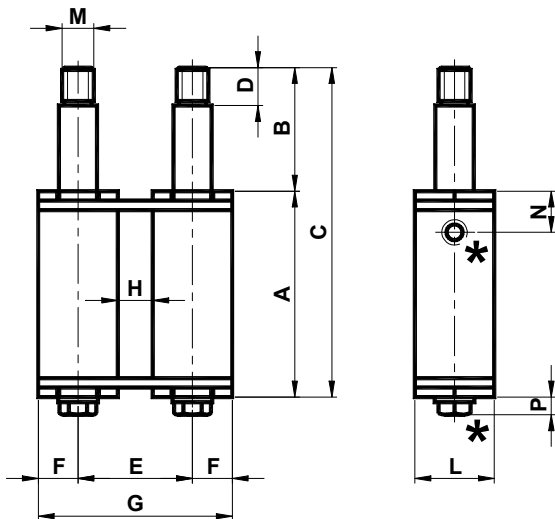
具双柱张紧装置组件。方形主体为铝制；联接部分、方柱和帽为镀锌钢制。轴衬为黄铜制。

🇬🇧 Tensioner element with double pin. The square bodies are made in aluminium; the junctions, the pins and the caps are in galvanized steel. The bushings are in brass.

型号 Type	编号 n°	A	B	C	D	E	F	G	H	L	M	N	P	Newton	重量 Weight [Kg]	型号 Type	编号 n°
AB1	AS010000	65	39	104	12	36	12.5	61	11	25	M10	24	/	0 - 280	0.33	ABB1	AS010001
AB2	AS010010	79	50	129	15	42.5	15	72.5	12.5	30	M10	27	/	0 - 420	0.58	ABB2	AS010011
AB3	AS010020	100.5	57	157.5	15	49.5	17.5	84.5	14.5	35	M10	/	7.1	0 - 800	0.92	ABB3	AS010021

Asso 张紧装置 型号 **ABB** / Asso Tensioner type **ABB**

具预加负荷用螺钉 / with preloading screw



具双柱张紧装置组件。方形主体为铝制；联接部分、方柱和帽为镀锌钢制。轴衬为黄铜制。ABB 张紧装置组件具预加负荷用螺钉(尺寸 1 和 2, STEI (N)螺钉；尺寸 3, TE (P) 螺钉)，以便简化安装操作。

🇬🇧 Tensioner element with double pin. The square bodies are made in aluminium; the junctions, the pins and the caps are in galvanized steel. The ABB tensioner element has a preloading screw (STEI Screw (N) in the sizes 1 and 2; TE screw (P) in the sizes 3) to make more easy the assembly operations.

* 预加负荷用螺钉 / Preloading screw