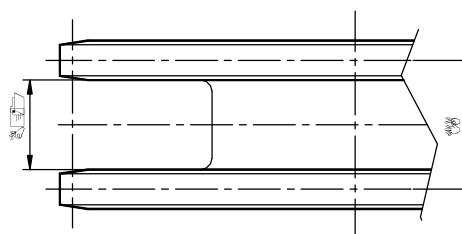
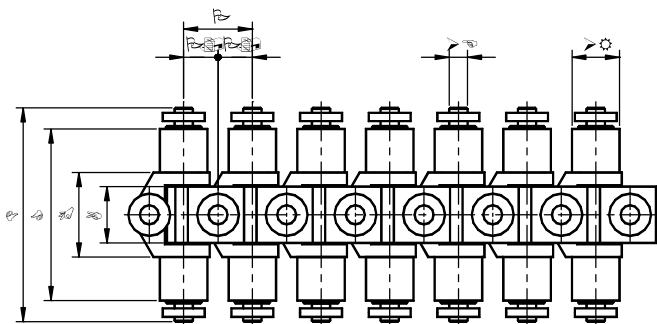
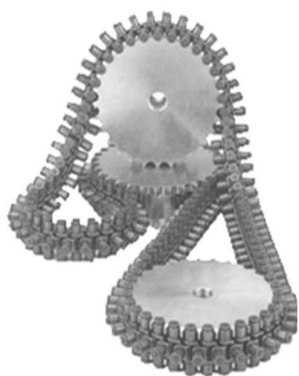
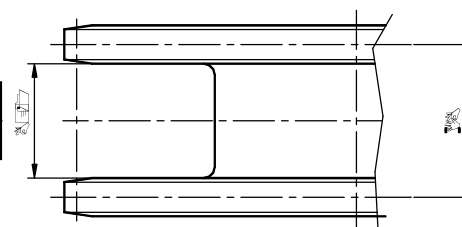
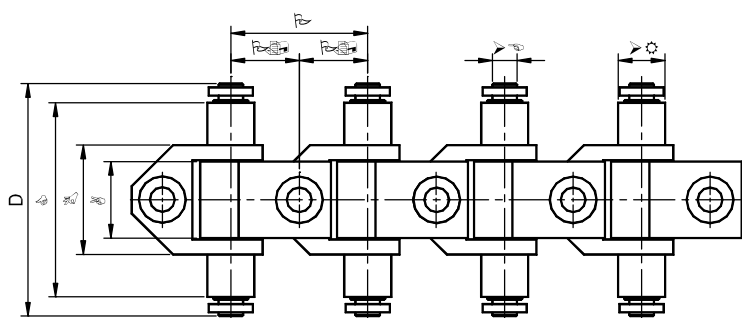
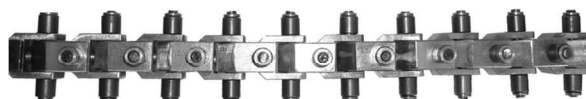


РОЛИКОВАЯ ЦЕПЬ 3KD
3KD ROLLER CHAIN



Тип Type	Код №	Шаг Pitch	Шаг Pitch [мм]	P/2 [мм]	A	B	C	D	ØE	IA	ØR	Педельная нагрузка [Н] Breaking load [N]
3KD-A1	KD010110	3/8"	9.525	4.7625	6.6	11.0	22.6	27.5	2.31	17.2	6.35	5560
3KD-A2	KD010120	1/2"	12.700	6.3500	10.0	15.0	30.5	37.0	3.28	23.0	8.51	11000
3KD-A3	KD010130	5/8"	15.875	7.9375	12.5	18.0	37.0	44.0	3.66	28.0	10.16	9915
3KD-A4	KD010140	3/4"	19.050	9.5250	14.0	20.0	42.6	50.5	4.45	31.8	12.07	22000
												35660



Тип Type	Код №	Шаг Pitch	Шаг Pitch [мм]	P/2 [мм]	A	B	C	D	ØE	IB	ØR	Педельная нагрузка [Н] Breaking load [N]
3KD-B1	KD011110	3/4"	19.05	9.525	9.0	14.5	26.3	31.4	3.28	20.4	6.35	11000
3KD-B2	KD011120	1"	25.40	12.700	14.0	20.0	35.5	43.0	4.45	27.9	8.51	22000
3KD-B3	KD011130	1" 1/4	31.75	15.875	16.0	23.0	42.0	51.0	5.08	33.1	10.16	27440
3KD-B4	KD011140	1" 1/2	38.10	19.050	18.5	26.5	49.1	59.0	5.72	39.0	12.07	35660
3KD-B5	KD011150	2"	50.80	25.400	31.0	46.0	80.4	95.0	8.28	63.8	15.88	43960