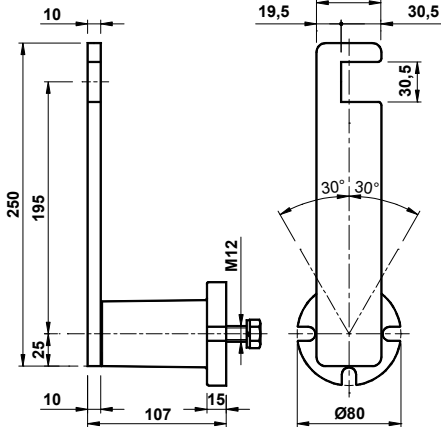



刮料器用弹性组件 / ELASTIC ELEMENTS FOR SCRAPERS

张紧装置组件 – 型号: RER 40 具焊接手柄 / 型号: REMER 40 具带槽手柄

Tighteners elements – Type: RER 40 with welded lever / Type: REMER 40 with slotted lever




RER 40 DX (编号 N° RE010850)

 RER 40 具焊接在轴上的手柄。

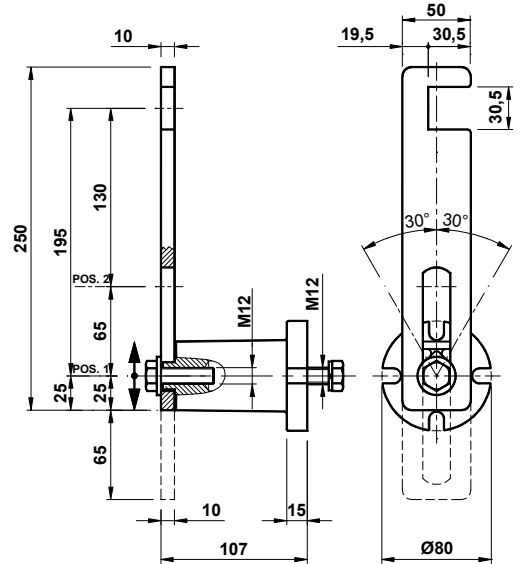
REMER 40 具带槽手柄, 可允许对轴进行调整, 因此可调节清洁器的力量。

扭转角度 $\pm 30^\circ$ 。工作温度从 -40°C 到 $+80^\circ\text{C}$ 。

根据不同需要和数量的要求, 可提供不同尺寸和形状的这类产品。

 RER 40 has the lever welded to the pin.

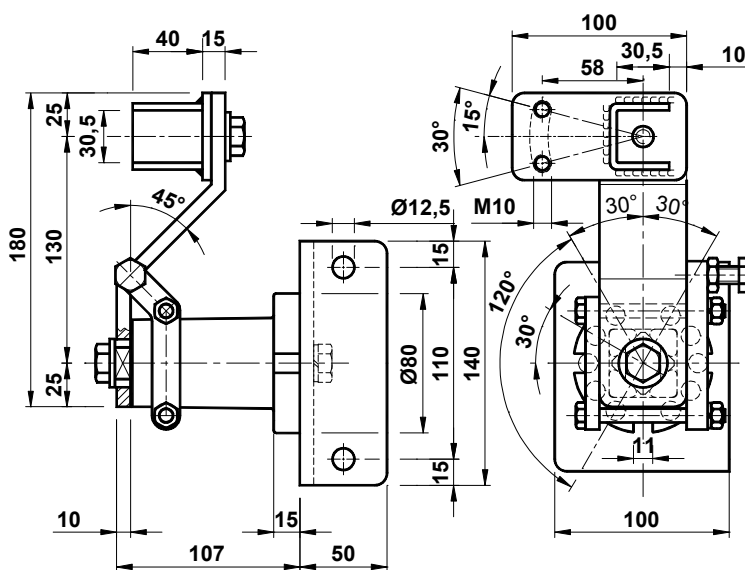
REMER 40 has the lever with a slot which allows axial regulation and therefore an adjustable force of the cleaning device. Rotation angle $\pm 30^\circ$. Operating temperature from -40°C to $+80^\circ\text{C}$. On request, these products are also supplied with different dimensions and shapes, according to necessities and quantities.




REMER 40 (编号 N° RE010860)

张紧装置组件– 型号: RERU 40 具轴调整

Tighteners elements – Type: RERU 40 with radial regulation



RERU 40 (编号 N° RE010870)


 这个弹性组件允许对清洁刮料器倾角进行调整 (总共 30°), 并可调整底座组件的安装角度 (已定为总共 120° 之间有成 30° 的 5 个位置)。

具轴调整的弹性组件 RERU 40 已配有 PR 40 预加负荷系统, 此系统可应用于简化安装操作并将手柄在事先确定的高度固定。

扭转角度 $\pm 30^\circ$ 。

工作温度从 -40°C 到 $+80^\circ\text{C}$ 。

根据不同需要和数量的要求, 可提供不同尺寸和形状的这类产品。

 This elastic element allows both regulation of the angle of incidence of the cleaning scraper (total 30°) and of the fitting angle of the base element (already equipped for total 120° / 5 positions with angles of 30° one from the other).

The elastic element RERU 40 with radial regulation is already equipped with a PR 40 preloading system which may be used both to facilitate assembly operations and to block the lever at a predetermined height.

Rotation angle $\pm 30^\circ$.

Operating temperature from -40°C to $+80^\circ\text{C}$.

On request, these products are also supplied with different dimensions and shapes, according to necessities and quantities.