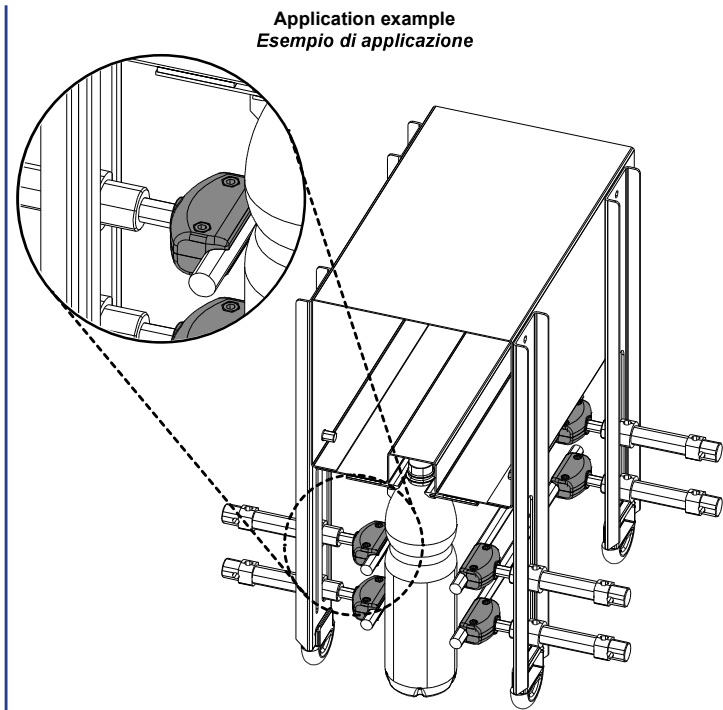
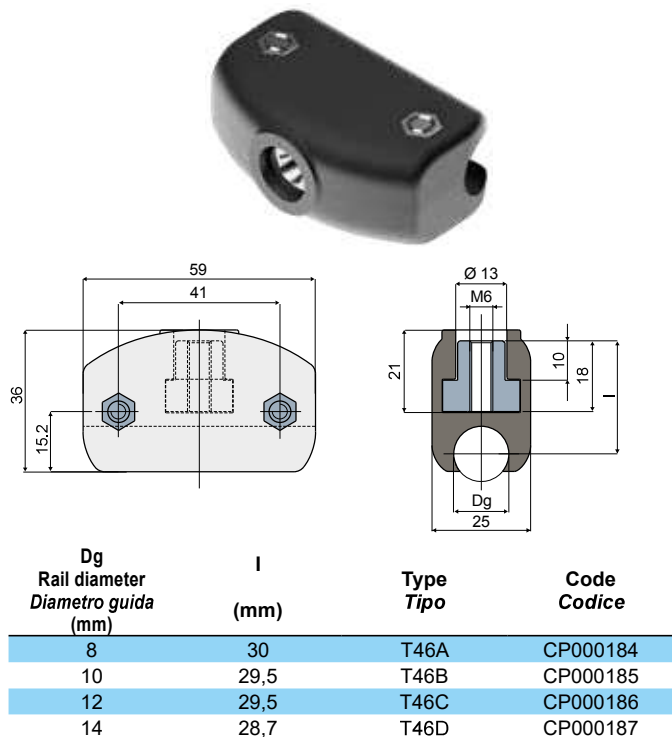


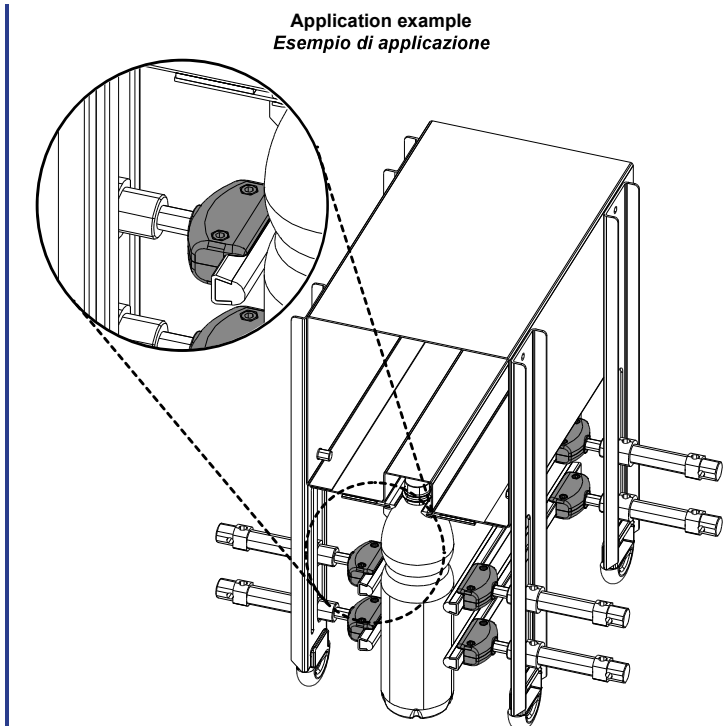
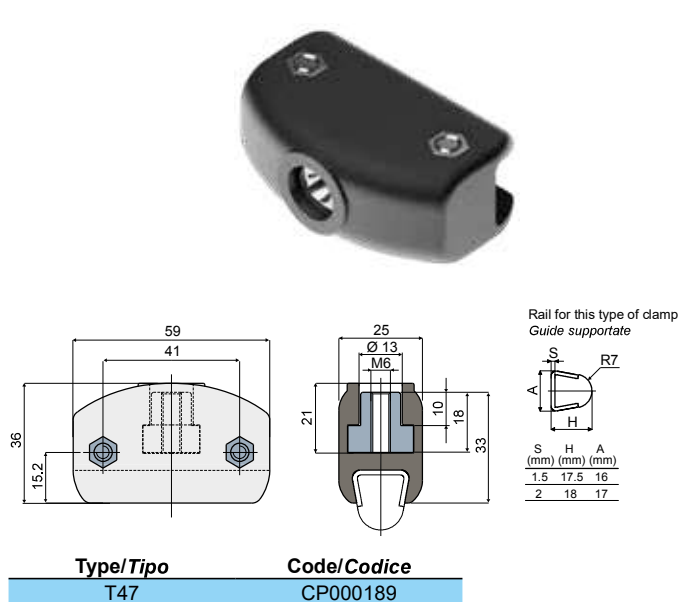
**Guide rail clamp (for round rails) - Part. T46**  
**Morsetto portaguida (per guide tonde) - Part. T46**



**MATERIALS:** Clamp made of reinforced polyamide black colour; threaded insert in nickel plated brass; bolts and nuts in stainless steel AISI 304.  
**FEATURES:** Designed appositely to be assembled directly on the pneumatic cylinder for the rails regulation. Supplied assembled.

**MATERIALI:** Morsetto in poliammide rinforzata colore nero; inserto filettato in ottone nichelato; bulloneria in acciaio inox AISI 304.  
**CARATTERISTICHE:** Studiato per essere montato direttamente sul cilindro pneumatico di regolazione guide. Fornito assemblato.

**Guide rail clamp (for trapezoidal rails) - Part. T47**  
**Morsetto portaguida (per guide trapezoidali) - Part. T47**



**MATERIALS:** Clamp made of reinforced polyamide black colour; threaded insert in nickel plated brass; bolts and nuts in stainless steel AISI 304.  
**FEATURES:** Designed appositely to be assembled directly on the pneumatic cylinder for the rails regulation. With this item it is possible to use thickness 1,5 and 2 mm guides: Part.T53, T54, T77, Q18, Q19, Q20, Q46, Q69, Q85, C14. Supplied assembled.

**MATERIALI:** Morsetto in poliammide rinforzata colore nero; inserto filettato in ottone nichelato; bulloneria in acciaio inox AISI 304.  
**CARATTERISTICHE:** Studiato per essere montato direttamente sul cilindro pneumatico di regolazione guide. Il particolare consente l'utilizzo di guide con spessore 1,5 e 2 mm.: Part. T53, T54, T77, Q18, Q19, Q20, Q46, Q69, Q85, C14.