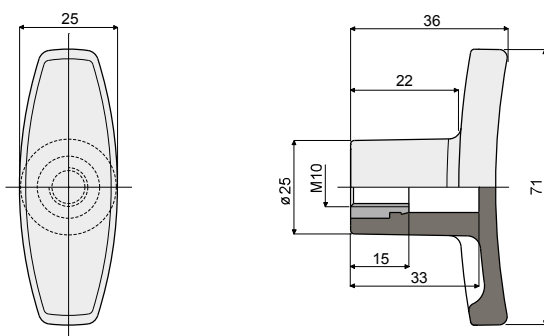


“T” handle - Part. T03 / Maniglia a “T” - Part. T03



Type/Tipo

T03

Code/Codice

CP000276

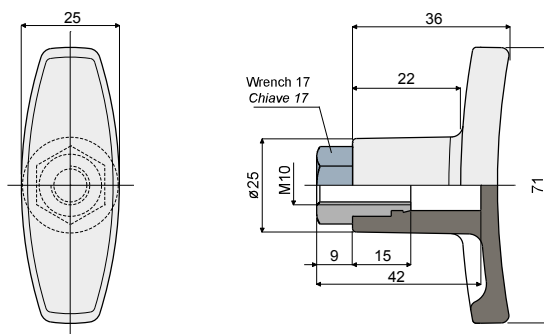
MATERIALS: Handle is made of reinforced polyamide black colour; threaded bushing is made of nickel plated brass.

FEATURES: Accessory to be used with heads Part.D21 and D66.

MATERIALI: Maniglia in poliammide rinforzata colore nero; boccola filettata in ottone nichelato.

CARATTERISTICHE: Accessorio applicabile alle testine Part. D21 e D66.

“T” handle - Part. T04 / Maniglia a “T” - Part. T04



Type/Tipo

T04

Code/Codice

CP000277

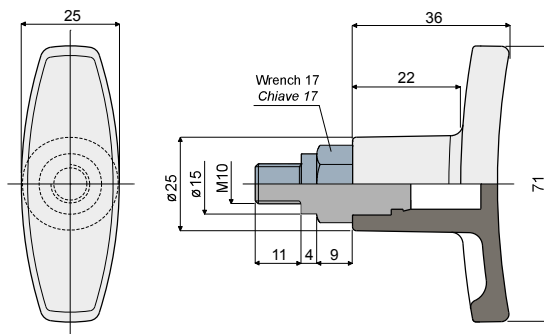
MATERIALS: Handle is made of reinforced polyamide black colour; threaded bushing is made of nickel plated brass.

FEATURES: Accessory to be used with heads Part.D21 and D66.

MATERIALI: Maniglia in poliammide rinforzata colore nero; boccola filettata in ottone nichelato.

CARATTERISTICHE: Accessorio applicabile alle testine Part. D21 e D66.

“T” handle - Part. T05 / Maniglia a “T” - Part. T05



Type/Tipo

T05

Code/Codice

CP000278

MATERIALS: Handle is made of reinforced polyamide black colour; threaded bushing is made of nickel plated brass.

FEATURES: Accessory to be used with heads Part.D23.

MATERIALI: Maniglia in poliammide rinforzata colore nero; boccola filettata in ottone nichelato.

CARATTERISTICHE: Accessorio applicabile alle testine Part. D23.