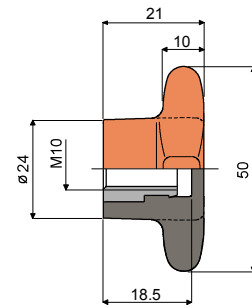
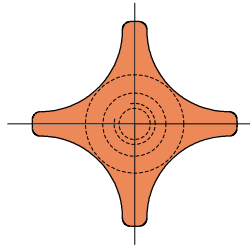


4 lobe knob (short type) - Part. T13
Volantino a 4 lobi (tipo ribassato) - Part. T13



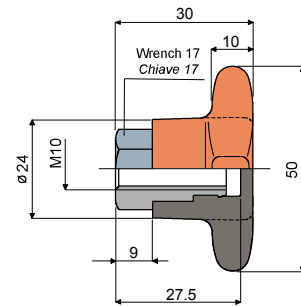
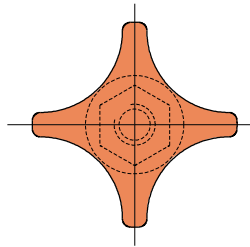
Type/Tipo
T13

Code/Codice
CP000270

MATERIALS: Knob made of reinforced polyamide orange colour; threaded bushing made of nickel plated brass.
FEATURES: Accessory to be used with heads Part.D21 and D66.

MATERIALI: Volantino in poliammide rinforzata colore arancione; boccola filettata in ottone nichelato.
CARATTERISTICHE: Accessorio applicabile alle testine Part. D21 e D66.

4 lobe knob (short type) - Part. T14
Volantino a 4 lobi (tipo ribassato) - Part. T14



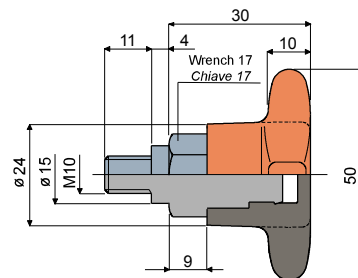
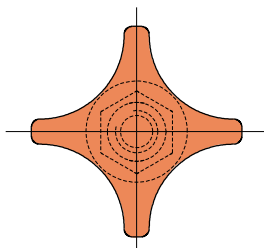
Type/Tipo
T14

Code/Codice
CP000271

MATERIALS: Knob made of reinforced polyamide orange colour; threaded bushing made of nickel plated brass.
FEATURES: Accessory to be used with heads Part.D21 and D66.

MATERIALI: Volantino in poliammide rinforzata colore arancione; boccola filettata in ottone nichelato.
CARATTERISTICHE: Accessorio applicabile alle testine Part. D21 e D66.

4 lobe knob (short type) - Part. T15
Volantino a 4 lobi (tipo ribassato) - Part. T15



Type/Tipo
T15

Type/Tipo
CP000272

MATERIALS: Knob made of reinforced polyamide orange colour; threaded bushing made of nickel plated brass.
FEATURES: Accessory to be used with heads Part.D23.

MATERIALI: Volantino in poliammide rinforzata colore arancione; boccola filettata in ottone nichelato.
CARATTERISTICHE: Accessorio applicabile alle testine Part. D23.