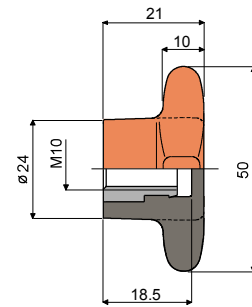
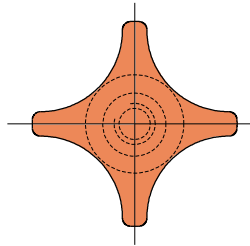


**4 lobe knob (short type) - Part. T13**  
**Volantino a 4 lobi (tipo ribassato) - Part. T13**



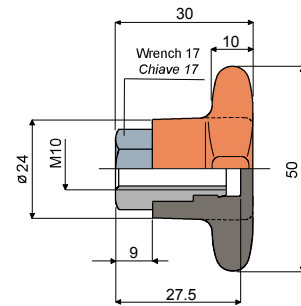
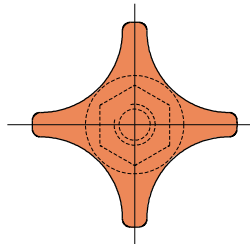
Type/Tipo  
T13

Code/Codice  
CP000270

**MATERIALS:** Knob made of reinforced polyamide orange colour; threaded bushing made of nickel plated brass.  
**FEATURES:** Accessory to be used with heads Part.D21 and D66.

**MATERIALI:** Volantino in poliammide rinforzata colore arancione; boccola filettata in ottone nichelato.  
**CARATTERISTICHE:** Accessorio applicabile alle testine Part. D21 e D66.

**4 lobe knob (short type) - Part. T14**  
**Volantino a 4 lobi (tipo ribassato) - Part. T14**



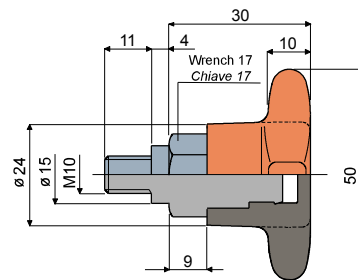
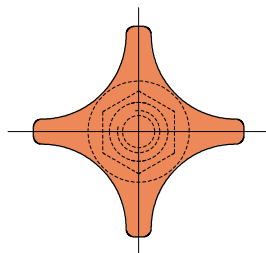
Type/Tipo  
T14

Code/Codice  
CP000271

**MATERIALS:** Knob made of reinforced polyamide orange colour; threaded bushing made of nickel plated brass.  
**FEATURES:** Accessory to be used with heads Part.D21 and D66.

**MATERIALI:** Volantino in poliammide rinforzata colore arancione; boccola filettata in ottone nichelato.  
**CARATTERISTICHE:** Accessorio applicabile alle testine Part. D21 e D66.

**4 lobe knob (short type) - Part. T15**  
**Volantino a 4 lobi (tipo ribassato) - Part. T15**



Type/Tipo  
T15

Type/Tipo  
CP000272

**MATERIALS:** Knob made of reinforced polyamide orange colour; threaded bushing made of nickel plated brass.  
**FEATURES:** Accessory to be used with heads Part.D23.

**MATERIALI:** Volantino in poliammide rinforzata colore arancione; boccola filettata in ottone nichelato.  
**CARATTERISTICHE:** Accessorio applicabile alle testine Part. D23.