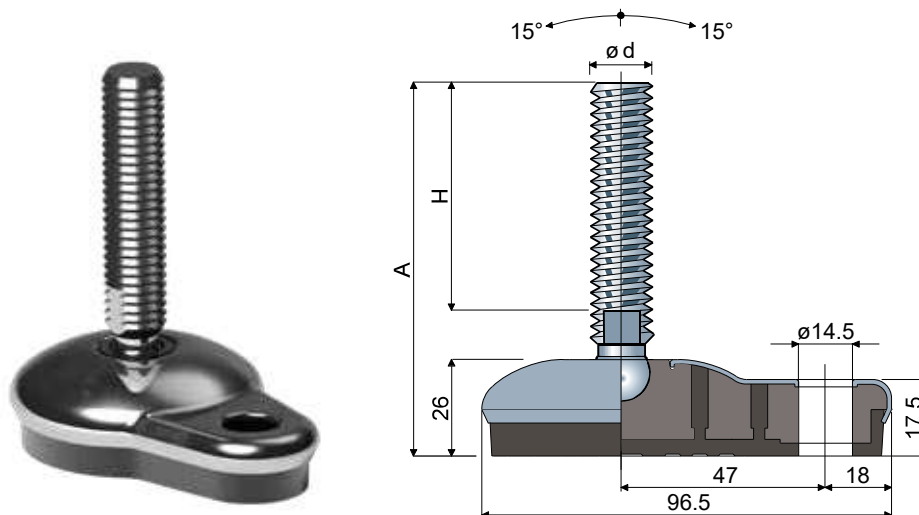


Articulated feet sanitizable with side fixing system (stainless steel base) 65x96 - Part. **PO20**

Piedi sanificabili snodati con fissaggio laterale (base in acciaio inox) 65x96 - Part. **PO20**



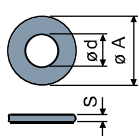
Spindle measures in mm / Misure stelo in mm

ød	A	H	Wrench Chiave	Spindle and base in stainless steel AISI 304 Stelo e base in acciaio inox AISI 304		Max static load Carico statico (N)
				Type/Tipo	Code/Codice	
M8x1,25	80	45	6	PO20A	CPA01407	13000
	100	65	6	PO20B	CPA01408	
	142	107	6	PO20C	CPA01409	
M10x1,5	71	35	8	PO20D	CPA01410	14000
	107	70	8	PO20E	CPA01411	
	152	115	8	PO20F	CPA01412	
M12x1,75	82	43	10	PO20G	CPA01413	15000
	102	63	10	PO20H	CPA01414	
	116	77	10	PO20I	CPA01415	
	132	93	10	PO20L	CPA01416	
	162	123	10	PO20M	CPA01417	
M14x2	102	61	12	PO20N	CPA01418	16000
	132	91	12	PO20O	CPA01419	
	157	116	12	PO20P	CPA01420	
M16x2	103	60	13	PO20Q	CPA01421	17000
	133	90	13	PO20R	CPA01422	
	148	105	13	PO20S	CPA01423	
	168	125	13	PO20T	CPA01424	
	198	155	13	PO20U	CPA01425	
	208	165	13	PO20V	CPA01426	
	248	205	13	PO20Z	CPA01427	

Spindle measures in inches / Misure stelo in pollici

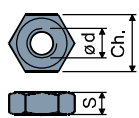
ød	A	H	Wrench Chiave	Spindle and base in stainless steel AISI 304 Stelo e base in acciaio inox AISI 304		Max static load Carico statico (N)
				Type/Tipo	Code/Codice	
1/2"-13 UNC	5,20"	3,64"	7/16"	PO20W	CPB01420	22000
5/8"-11 UNC	8,7"	7"	1/2"	PO20X	CPB01421	22000
3/4"-10 UNC	8,77"	7"	5/8"	PO20Y	CPB01422	24000

Washers/Rosette UNI 6592-69



ø M	M8	M10	M12	M14	M16
S mm	1,6	2	2,5	2,5	3
ø A mm	17	21	24	28	30
Code/Codice IN	CP007637	CP007286	CP007287	CP007288	CP007291

Nuts/Dadi UNI 5588-65



ø d	M8	M10	M12	M14	M16
S mm	6,5	8	10	11	13
Ch. mm	13	17	19	22	24
Code/Codice IN	CP007635	CP007272	CP007273	CP007274	CP007277

BASE MATERIAL: Internal part made of reinforced polyamide; external covering made of stainless steel AISI 304; anti-slip pad made of thermoplastic rubber 68 Shore black colour.

FEATURES: Co-moulded anti-slip pad allows a perfect adherence with steel base. Consequent absence of internal cavities makes foot extremely cleanable.

MATERIALE BASE: Anima interna in poliammide + FV; rivestimento esterno in acciaio inox AISI 304; antivibrante in gomma termoplastica 68 shore colore nero.

CARATTERISTICHE: L'antivibrante costampato consente una perfetta aderenza con la base in acciaio. La conseguente aderenza di cavità interne rende il piede estremamente sanificabile.