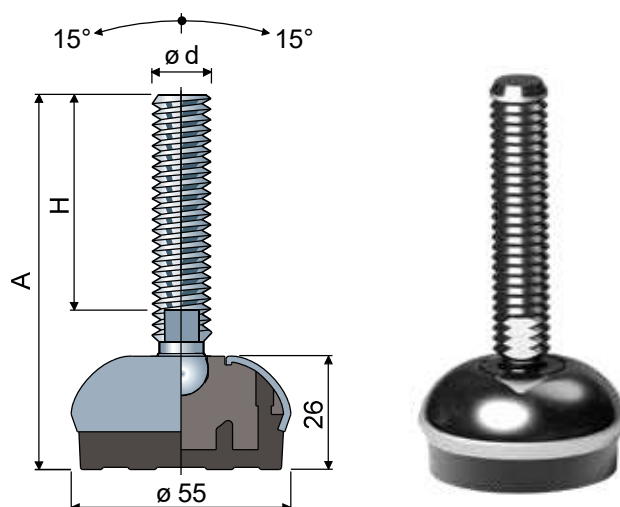
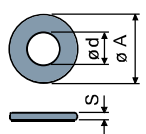


Articulated feet sanitizable (stainless steel base) \varnothing 55 - Part. PO25
Piedi sanificabili snodati (base in acciaio inox) \varnothing 55 - Part. PO25

Spindle measures in mm / Misure stelo in mm

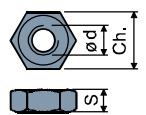
$\varnothing d$	A	H	Wrench Chiave	Spindle and base in stainless steel AISI 304 Stelo e base in acciaio inox AISI 304		Max static load Carico statico (N)
				Type/Tipo	Code/Codice	
M8x1,25	80	45	6	PO25A	CPA01147	11000
	100	65	6	PO25B	CPA01148	
	142	107	6	PO25C	CPA01149	
M10x1,5	71	35	8	PO25D	CPA01150	12000
	107	70	8	PO25E	CPA01151	
	152	115	8	PO25F	CPA01152	
M12x1,75	82	43	10	PO25G	CPA01153	13000
	102	63	10	PO25H	CPA01154	
	116	77	10	PO25I	CPA01155	
	132	93	10	PO25L	CPA01156	
M14x2	162	123	10	PO25M	CPA01157	14000
	102	61	12	PO25N	CPA01158	
	132	91	12	PO25O	CPA01159	
M16x2	157	116	12	PO25P	CPA01160	15000
	103	60	13	PO25Q	CPA01161	
	133	90	13	PO25R	CPA01162	
	148	105	13	PO25S	CPA01163	
	168	125	13	PO25T	CPA01164	
	198	155	13	PO25U	CPA01165	
	208	165	13	PO25V	CPA01166	
	248	205	13	PO25Z	CPA01167	

Spindle measures in inches / Misure stelo in pollici

$\varnothing d$	A	H	Wrench Chiave	Spindle and base in stainless steel AISI 304 Stelo e base in acciaio inox AISI 304		Max static load Carico statico (N)
				Type/Tipo	Code/Codice	
1/2"-13 UNC	5,19"	4"	7/16"	PO25W	CPA01168	13000
5/8"-11 UNC	8,70"	7"	1/2"	PO25X	CPA01169	15000
3/4"-10 UNC	8,78"	7"	5/8"	PO25Y	CPA01170	19000

Washers/Rosette UNI 6592-69


$\varnothing M$	M8	M10	M12	M14	M16
S mm	1,6	2	2,5	2,5	3
$\varnothing A$ mm	17	21	24	28	30
Code/Codice IN	CP007637	CP007286	CP007287	CP007288	CP007291

Nuts/Dadi UNI 5588-65


$\varnothing d$	M8	M10	M12	M14	M16
S mm	6,5	8	10	11	13
Ch. mm	13	17	19	22	24
Code/Codice IN	CP007635	CP007272	CP007273	CP007274	CP007277

BASE MATERIAL: Internal part made of reinforced polyamide; external covering made of stainless steel AISI 304; anti-slip pad made of thermoplastic rubber 68 Shore black colour.

FEATURES: Co-moulded anti-slip pad allows a perfect adherence with steel base. Consequent absence of internal cavities makes foot extremely cleanable.

MATERIALE BASE: Anima interna in poliammide + FV; rivestimento esterno in acciaio inox AISI 304; antivibrante in gomma termoplastica 68 shore colore nero.

CARATTERISTICHE: L'antivibrante costampato consente una perfetta aderenza con la base in acciaio. La conseguente aderenza di cavità interne rende il piede estremamente sanificabile.