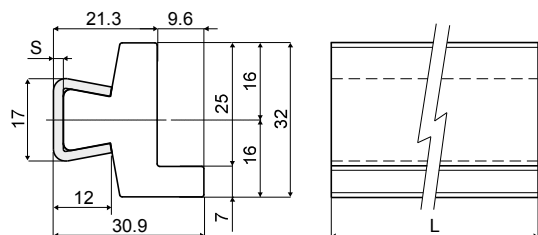


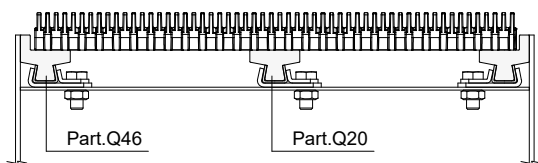
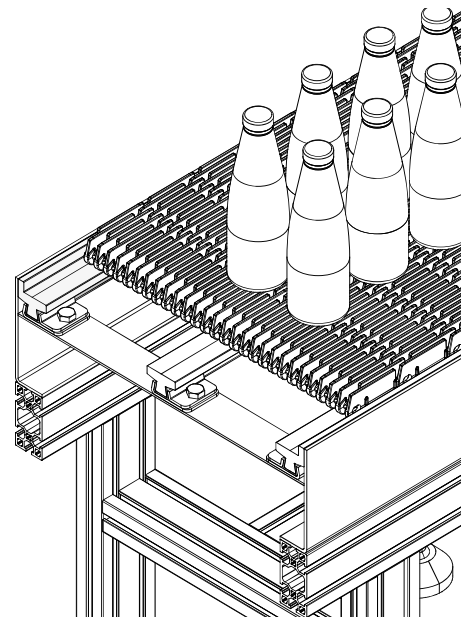
**Chain guide rail (with metal profile) - Part. Q46**  
**Guida di scorrimento a profilo sagomato (con profilo metallico) - Part. Q46**



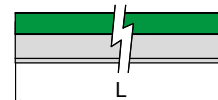
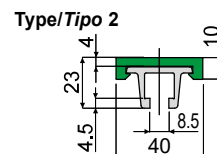
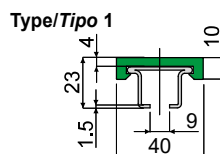
Type/Tipo	Code/Codice	S	L
Q46A	CPC00543	1,5	6 Mt.
Q46B	CPC00544	1,5	3 Mt.
Q46C	CPC00545	2	6 Mt.
Q46D	CPC00546	2	3 Mt.

- MATERIALS:** Plastic profile in natural polyethylene; metal profile in stainless steel AISI 304.
- FEATURES:** Supplied already assembled in lengths of 3 or 6 meters.
- MATERIALI:** Profilo guida in polietilene naturale; profilo metallico in acciaio inox AISI 304.
- CARATTERISTICHE:** Fornito in barre da 3 o 6 Mt.

Application example  
Esempio di applicazione



**Chain guide profile - Part. T81 and TX81**  
**Profilo guida catena - Part. T81 e TX81**



Type/Tipo 1		Type/Tipo 1		Colour Colore	L
Metal profile in stainless steel AISI 304 Profilo metallico in acciaio inox AISI 304	Code/Codice	Metal profile in stainless steel AISI 430 Profilo metallico in acciaio inox AISI 430	Code/Codice		
TX81A	CPC00553	TX81G	CPC00559	Green/Verde	3 Mt.
TX81B	CPC00554	TX81H	CPC00560	Green/Verde	6 Mt.
TX81C	CPC00555	TX81I	CPC00561	White/Bianco	3 Mt.
TX81D	CPC00556	TX81L	CPC00562	White/Bianco	6 Mt.
TX81E	CPC00557	TX81M	CPC00563	Black/Nero	3 Mt.
TX81F	CPC00558	TX81N	CPC00564	Black/Nero	6 Mt.

Type/Tipo 2		Colour Colore	L
Metal profile in aluminium Profilo metallico in alluminio	Code/Codice		
T81A	CPC00547	Green/Verde	3 Mt.
T81B	CPC00548	Green/Verde	6 Mt.
T81C	CPC00549	White/Bianco	3 Mt.
T81D	CPC00550	White/Bianco	6 Mt.
T81E	CPC00551	Black/Nero	3 Mt.
T81F	CPC00552	Black/Nero	6 Mt.

- MATERIALS:** Metal profile in stainless steel AISI 304, AISI 430 or aluminium; guide profile in polyethylene.
- FEATURES:** Supplied in lengths of 3 or 6 Mt.
- MATERIALI:** Profilo metallico in acciaio inox AISI 304, AISI 430 o alluminio; profilo guida in polietilene.
- CARATTERISTICHE:** Fornito in barre da 3 o 6 Mt.