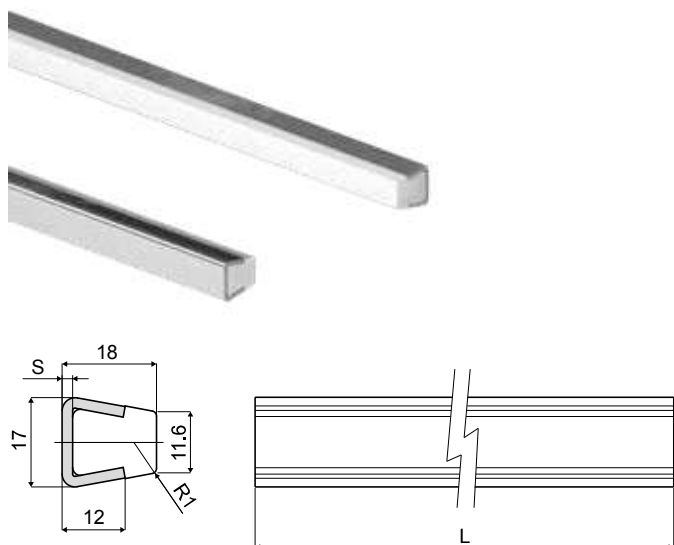


Product guide rail (with metal profile) - Part. Q18
Profilo guida prodotto (con profilo metallico) - Part. Q18

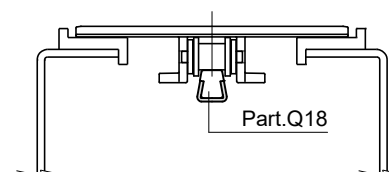
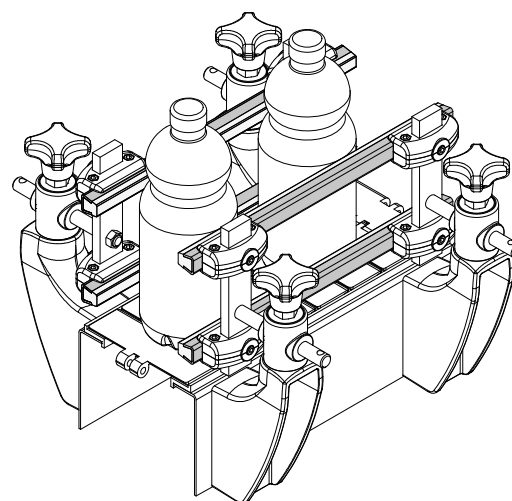


| Type/Tipo | Code/Codice | S | L |
|-----------|-------------|-----|-------|
| Q18A | CPC00521 | 1,5 | 6 Mt. |
| Q18B | CPC00522 | 1,5 | 3 Mt. |
| Q18C | CPC00523 | 2 | 6 Mt. |
| Q18D | CPC00524 | 2 | 3 Mt. |

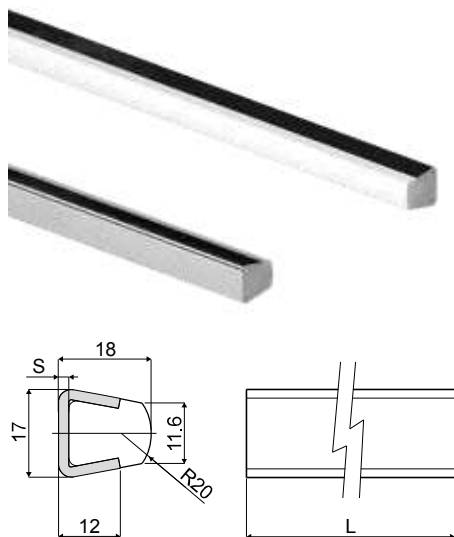
UK MATERIALS: Plastic profile in natural polyethylene; metal profile in stainless steel AISI 304.
FEATURES: Supplied already assembled in lengths of 3 or 6 meters.

IT MATERIALI: Profilo guida in polietilene naturale; profilo metallico in acciaio inox AISI 304.
CARATTERISTICHE: Fornito in barre da 3 o 6 Mt.

Application example
Esempio di applicazione



Product guide rail (with metal profile) - Part. Q19
Profilo guida prodotto (con profilo metallico) - Part. Q19



| Type/Tipo | Code/Codice | S | L |
|-----------|-------------|-----|-------|
| Q19A | CPC00525 | 1,5 | 6 Mt. |
| Q19B | CPC00526 | 1,5 | 3 Mt. |
| Q19C | CPC00527 | 2 | 6 Mt. |
| Q19D | CPC00528 | 2 | 3 Mt. |

UK MATERIALS: Plastic profile in natural polyethylene; metal profile in stainless steel AISI 304.
FEATURES: Supplied already assembled in lengths of 3 or 6 meters.

IT MATERIALI: Profilo guida in polietilene naturale; profilo metallico in acciaio inox AISI 304.
CARATTERISTICHE: Fornito in barre da 3 o 6 Mt.

Application example
Esempio di applicazione

