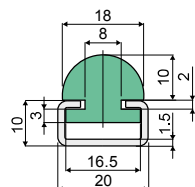
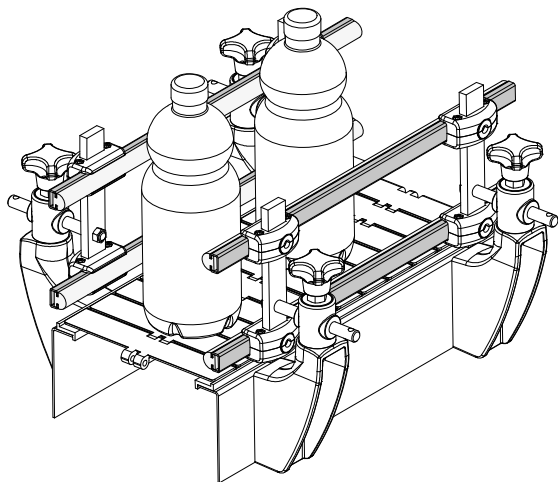
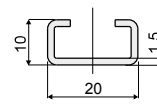


Guide rail round (with metal profile) - Part. T73
Guida laterale tonda (con profilo metallico) - Part. T73

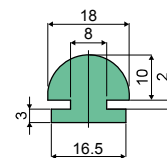
Application example
 Esempio di applicazione



With profile and guide
 Con profilo e guida



Only profile
 Solo profilo



Only guide
 Solo guida

Length Lunghezza	With profile and guide Type/Tipo	Code/Code
3 Mt.	T73A	CPC00517
6 Mt.	T73B	CPC00518

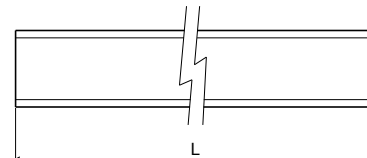
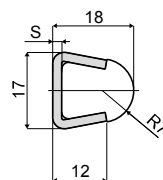
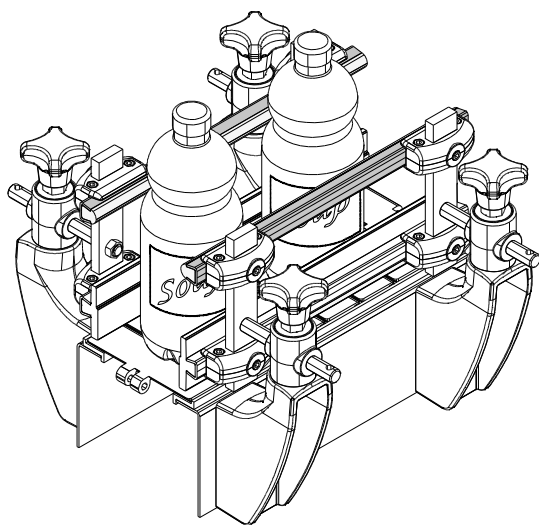
Length Lunghezza	Only profile Type/Tipo	Code/Code
3 Mt.	T73C	CPC00519

Length Lunghezza	Only guide Type/Tipo	Code/Code
3 Mt.	T73D	CPC00520

MATERIALS: Extruded HMWPE green colour, metal profile in stainless steel AISI 304.
MATERIALI: Estruso in HMWPE colore verde, profilo metallico in acciaio inox AISI 304.

Guide rail round (with metal profile) - Part. T54
Guida laterale tonda (con profilo metallico) - Part. T54

Application example
 Esempio di applicazione



Type/Tipo	Code/Code	Colour/Colore	S	L
T54A	CP000501	Polyethylene natural	2	6 Mt.
T54B	CP000502	Polyethylene natural	2	3 Mt.
T54C	CPA00501	Polyethylene natural	1,5	6 Mt.
T54D	CPA00502	Polyethylene natural	1,5	3 Mt.
T54E	CPA00503	Blue/Blu RAL 5005	1,5	6 Mt.
T54F	CPA00504	Blue/Blu RAL 5005	1,5	3 Mt.
T54G	CPA00505	Blue/Blu RAL 5005	2	6 Mt.
T54H	CPA00506	Blue/Blu RAL 5005	2	3 Mt.

MATERIALS: Plastic profile in polyethylene natural or blue Ral 5005 colour; metal profile in stainless steel AISI 304.
FEATURES: Supplied already assembled in lengths of 3 or 6 meters.
MATERIALI: Profilo guida in polietilene naturale o colore blu Ral 5005; profilo metallico in acciaio inox AISI 304.
CARATTERISTICHE: Fornito in barre da 3 o 6 Mt.