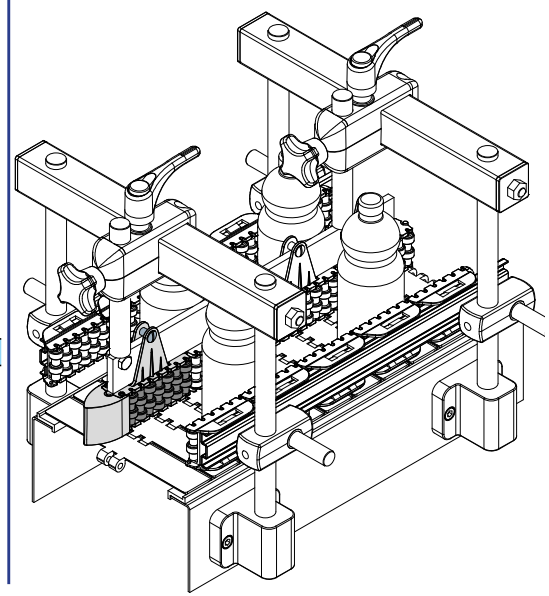
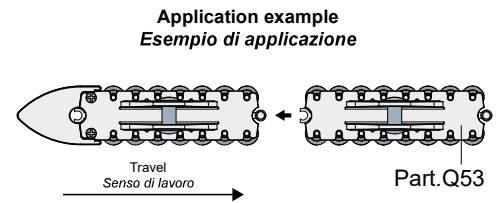
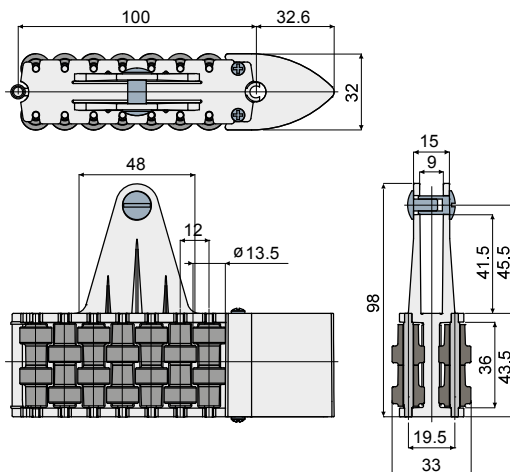


**Separation block with round rollers (for Part.Q53) - Part. Q50 and QX50**  
**Modulo separatore a rullini tondi (per Part.Q53) - Part. Q50 e QX50**



**Pins made of acetal**

*Perni in resina acetale*

| Type/Tipo | Code/Codice |
|-----------|-------------|
| Q50       | CPB00524    |

**Pins made of stainless steel AISI 304**

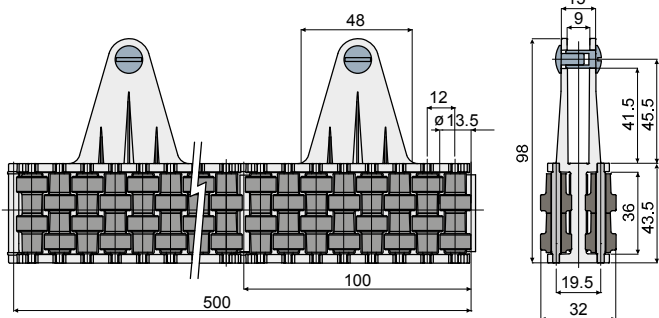
*Perni in acciaio inox AISI 304*

| Type/Tipo | Code/Codice |
|-----------|-------------|
| QX50A     | CPB00525    |

**UK MATERIALS:** Rollers in polyethylene grey colour; module in acetal resin black colour; shoe in acetal resin grey colour; support pins in black acetal or in stainless steel AISI 304.  
**FEATURES:** Supplied already assembled (1 module + 1 shoe); for 40x8 mm plate.

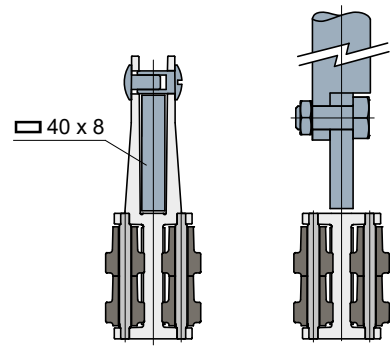
**IT MATERIALI:** Rullini in polietilene colore grigio; modulo in resina acetale colore nero; pattino in resina acetale colore grigio; perni di supporto in resina acetale colore nero o acciaio inox AISI 304. **CARATTERISTICHE:** Fornita assemblata (1 modulo + 1 pattino); per piatto 40x8 mm.

**Roller central guide with round rollers (500 mm modules) - Part. Q53 and QX53**  
**Guida centrale a rullini tondi (moduli da 500 mm) - Part. Q53 e QX53**

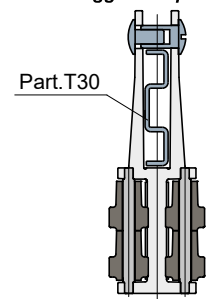


**Application example**  
*Esempio di applicazione*

**Fixing with plate**  
*Montaggio con piatto*



**Fixing with metal profile**  
*Montaggio con profilo*



**Pins made of acetal**

*Perni in resina acetale*

| Type/Tipo | Code/Codice |
|-----------|-------------|
| Q53       | CPB00528    |

**Pins made of stainless steel AISI 304**

*Perni in acciaio inox AISI 304*

| Type/Tipo | Code/Codice |
|-----------|-------------|
| QX53A     | CPB00529    |

**UK MATERIALS:** Rollers in polyethylene grey colour; modules in acetal resin black colour; support pins in black acetal or in stainless steel AISI 304.  
**FEATURES:** Supplied already assembled, in modules of 500 mm length, for 40x8 mm plate. Min. curvature radius: 335 mm.

**IT MATERIALI:** Rullini in polietilene colore grigio; moduli in resina acetale colore nero; perni di supporto in resina acetale colore nero o acciaio inox AISI 304.  
**CARATTERISTICHE:** Fornita assemblata in moduli da 500 mm, per piatto 40x8 mm. Raggio min. di curvatura: 335 mm.