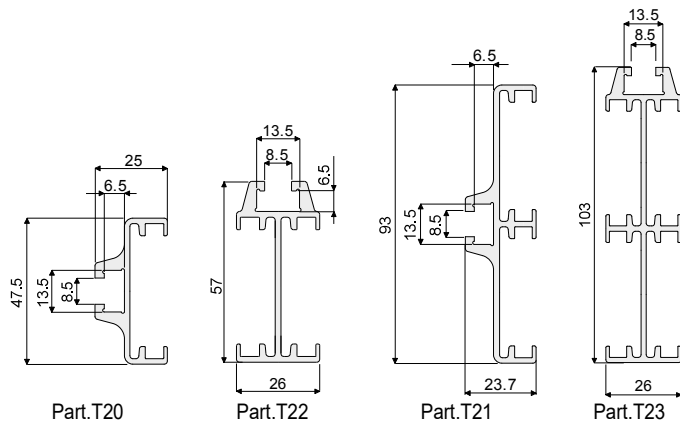


Profile for side guides - Part. T20, T21, T22, T23
Profilo per guide laterali - Part. T20, T21, T22, T23

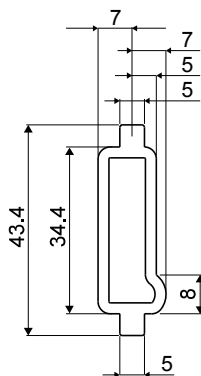
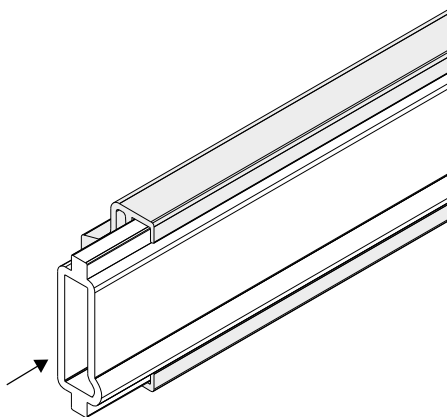


Side version/Versione laterale				Central version/Versione centrale				L
Single/Singola		Double/Doppia		Single/Singola		Double/Doppia		
Type/Tipo	Code/Codice	Type/Tipo	Code/Codice	Type/Tipo	Code/Codice	Type/Tipo	Code/Codice	
T20	CP000491	T21	CP000492	T22	CP000493	T23	CP000494	3 Mt.

- MATERIALS:** Metal profile in anodized aluminium.
- FEATURES:** Supplied in bars of 3 meters length. To be used with guides Part. T06,T07, T08, T19, T25, T26,T27, T28, T55, T56, T57, T58, Q67, Q68, Q64, Q74, Q75, Q76, Q77, Q78, Q79, Q80
- MATERIALI:** Profili in alluminio anodizzato.
- CARATTERISTICHE:** Forniti in barre da 3 metri. Da utilizzare nelle guide Part. T06,T07, T08, T19, T25, T26,T27, T28, T55, T56, T57, T58, Q67, Q68, Q64, Q74, Q75, Q76, Q77, Q78, Q79, Q80

Guide profile for products - Part. T29
Profilo guida prodotto - Part. T29

Application example
Esempio di applicazione



Type/Tipo	Code/Codice
T29	CP000499

- MATERIALS:** Profile made of natural polyethylene white colour.
- FEATURES:** Supplied in bars of 3 meters length. To be used with guides Part. T20, T21, T22, T23.
- MATERIALI:** Profilo in polietilene naturale colore bianco.
- CARATTERISTICHE:** Fornito in barre da 3 Mt. Da utilizzare nelle guide Part. T20, T21, T22, T23.