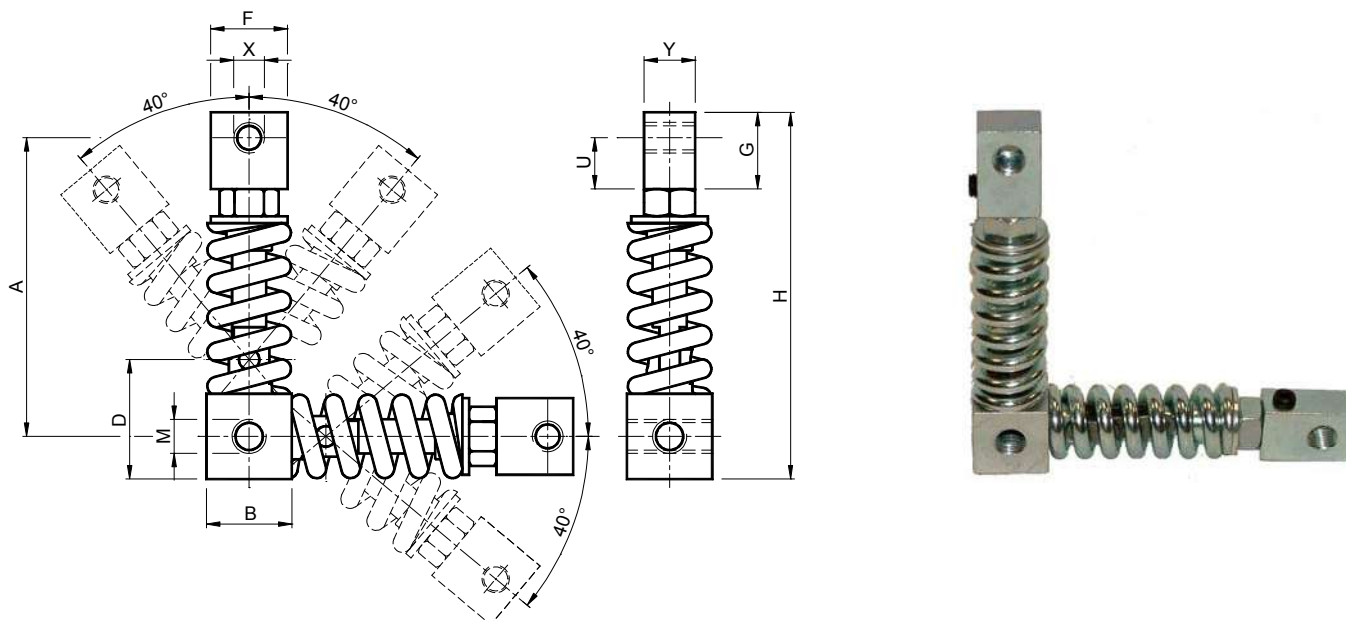


Eléments élastiques **ARCO** – Type: **ABV ($\pm 40^\circ$)** / Elastic Element **ARCO** – Tipo: **ABV ($\pm 40^\circ$)**



MATERIAUX Acier . Goupille de rotation en laiton.
TRAITEMENTS Zingage blanc.
UTILISATION Angle de rotation $\pm 40^\circ$.
 Température de fonctionnement de -30°C à $+120^\circ\text{C}$.
MATERIALS Steel . Rotation pin made of brass.
TREATMENTS White galvanization.
USE Rotation angle $\pm 40^\circ$.
 Working temperature -30°C a $+120^\circ\text{C}$.

Type	Code n°	A	B	D	F	G	H	M	U	X	Y	Newton 0° ÷ 40°	Poids Weight Kg
ABV 10-8	AR070510	80	25	35	20	30	102.5	M8	20	M8	15	0 ÷ 90	0.45
ABV 10-10	AR070515	80	25	35	20	30	102.5	M8	20	M10	15	0 ÷ 90	0.45
ABV 20-10	AR070520	100	25	35	20	30	122.5	M10	20	M10	15	0 ÷ 135	0.60
ABV 20-16	AR070525	100	25	35	30	30	122.5	M10	20	M16	15	0 ÷ 135	0.65
ABV 30-10	AR070530	100	25	35	20	30	122.5	M12	20	M10	15	0 ÷ 275	0.60
ABV 30-16	AR070535	100	25	35	30	30	122.5	M12	20	M16	15	0 ÷ 275	0.65
ABV 40-12	AR070540	130	35	50	30	35	160	M16	22.5	M12	20	0 ÷ 750	1.55
ABV 40-16	AR070545	130	35	50	30	35	160	M16	22.5	M16	20	0 ÷ 750	1.55
ABV 50-16	AR070550	175	50	70	45	45	215	M20	30	M16	30	0 ÷ 1400	5.50
ABV 50-20	AR070555	175	50	70	45	45	215	M20	30	M20	30	0 ÷ 1400	5.50
ABV 60-20	AR070558	220	70	95	50	50	270	M24	35	M20	35	0 ÷ 2360	11.5