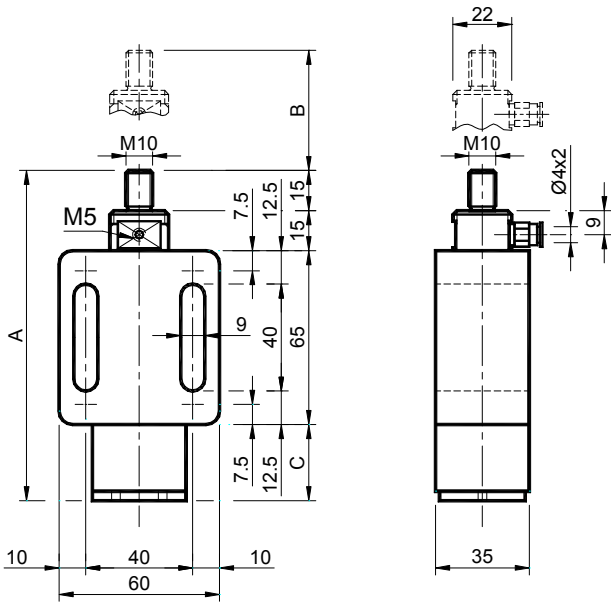


Eléments élastiques ARIA – Type: AS 2 (action simple en poussée)
ARIA Elastic elements – Type: AS 2 (simple action in drag condition)



MATERIAUX Corps en aluminium, cylindre en aluminium, bouchons en acier.

TRAITEMENTS Aluminium sablé, composants métalliques zingués.

UTILISATION Cet article utilise un ressort à air comme élément de poussée. Il est donc indiqué pour pousser ou presser mais aussi pour amortir ou absorber les vibrations, oscillations, chocs, déchirements, etc.

MATERIALS Body, cylinder made of aluminium, stoppers made of steel.

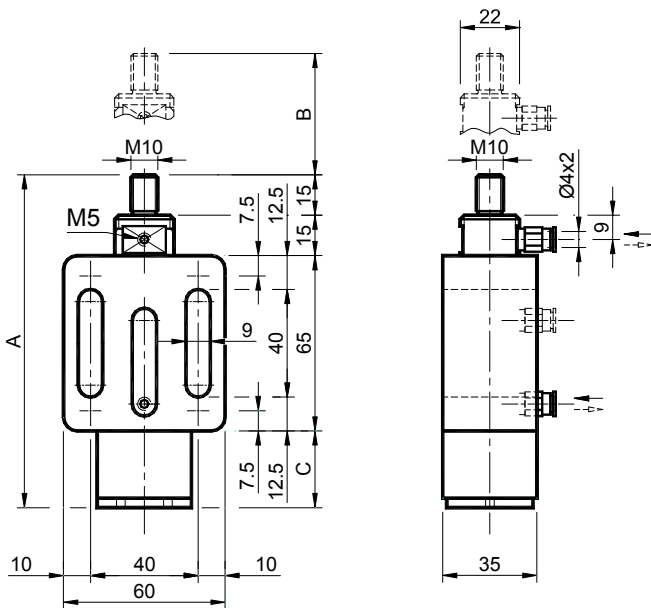
TREATMENTS Sandblasted aluminium, galvanized metallic components.

USE This element is equipped with an air spring acting as a thrust element, so it is suitable to thrust or to press, but also to amortize or absorb vibrations, oscillations, shocks, tearings, etc.

Functioning: SINGLE ACTION (IN THRUST CONDITIONS).

Type Type	Code n°	A	B	C	Newton (6 bar)		Poids Weight Kg	Type Type	Code n°
					Spinta Push	Tiro Pull			
AS 2-10	OL010010	148	30	53	0÷150	0÷105	0.61	AD 2-10	OL010537
AS 2-11	OL010011	163	45	68	0÷150	0÷105	0.77	AD 2-11	OL010538
AS 2-12	OL010012	213	95	118	0÷150	0÷105	1.15	AD 2-12	OL010539
AS 2-13	OL010013	263	145	168	0÷150	0÷105	1.60	AD 2-13	OL010540
AS 2-14	OL010014	313	195	218	0÷150	0÷105	1.80	AD 2-14	OL010541

Eléments élastiques ARIA – Type: AD2 (double action en poussée et en traction)
ARIA Elastic elements – Type: AD2 (double action in thrust and drag condition)



MATERIAUX Corps et cylindre en aluminium, bouchons en acier.

TRAITEMENTS Aluminium sablé, composants en métal zingué.

UTILISATION Ce produit utilise un ressort à air comme élément de poussée. Il est donc indiqué pour absorber les vibrations, oscillations, chocs, déchirements, etc.

Functioning: DOUBLE ACTION (EN POUSSEE ET EN TRACTION).

MATERIALS Body, cylinder made of aluminium, stoppers made of steel.

TREATMENTS Sandblasted aluminium, galvanized metallic components.

USE This element is equipped with an air spring acting as a thrust element, so it is particularly suitable for all the cases which require absorption of vibrations, oscillations, shocks, tearings, etc.

Functioning: DOUBLE ACTION (IN THRUST AND DRAG CONDITIONS).