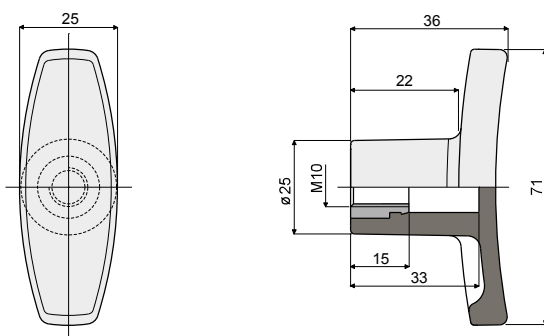


**“T” handle - Part. T03 / Maniglia a “T” - Part. T03**



Type/Tipo

T03

Code/Codice

CP000276

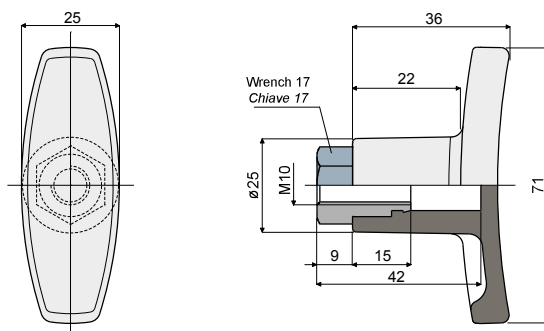
**MATERIALS:** Handle is made of reinforced polyamide black colour; threaded bushing is made of nickel plated brass.

**FEATURES:** Accessory to be used with heads Part.D21 and D66.

**MATERIALI:** Maniglia in poliammide rinforzata colore nero; boccola filettata in ottone nichelato.

**CARATTERISTICHE:** Accessorio applicabile alle testine Part. D21 e D66.

**“T” handle - Part. T04 / Maniglia a “T” - Part. T04**



Type/Tipo

T04

Code/Codice

CP000277

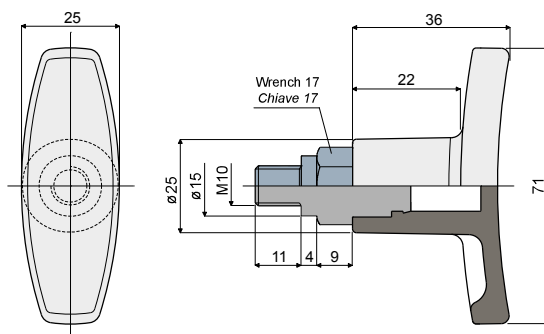
**MATERIALS:** Handle is made of reinforced polyamide black colour; threaded bushing is made of nickel plated brass.

**FEATURES:** Accessory to be used with heads Part.D21 and D66.

**MATERIALI:** Maniglia in poliammide rinforzata colore nero; boccola filettata in ottone nichelato.

**CARATTERISTICHE:** Accessorio applicabile alle testine Part. D21 e D66.

**“T” handle - Part. T05 / Maniglia a “T” - Part. T05**



Type/Tipo

T05

Code/Codice

CP000278

**MATERIALS:** Handle is made of reinforced polyamide black colour; threaded bushing is made of nickel plated brass.

**FEATURES:** Accessory to be used with heads Part.D23.

**MATERIALI:** Maniglia in poliammide rinforzata colore nero; boccola filettata in ottone nichelato.

**CARATTERISTICHE:** Accessorio applicabile alle testine Part. D23.