

KIT per tendicinghia / KIT for belt-tensioners

Rullo in acciaio su forcella – Tipo: **RAU** / Rullo in poliammide su forcella – Tipo: **RAP**
 Roller set in steel on fork – Type: **RAU** / Roller set in polyamide on fork – Type: **RAP**



RAU



RAP

MATERIALI RAU: Forcella, cuscinetti, perno, distanziali e rullo in acciaio.
RAP: Forcella, cuscinetti, perno e distanziali in acciaio, rullo in poliammide PA6+MoS.

TRATTAMENTI RAU: Forcella verniciata a forno, particolari metallici in acciaio zincato.
RAP: Forcella verniciata a forno, particolari metallici in acciaio zincato, rullo tornito 1.6.

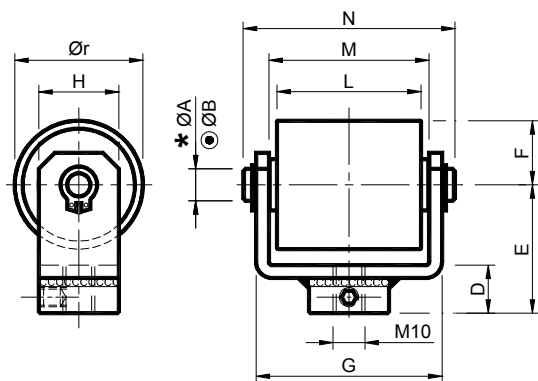
IMPIEGO Rullo con cuscinetti ZZ lubrificati.

MATERIALS RAU: Fork, bearings, pin, spacers, roller made of steel.
RAP: Fork, bearings, pin, spacers made of steel, roller made of polyamide PA6+MoS.

TREATMENTS RAU: Fork oven painted, metallic components made of galvanized steel.
RAP: Fork oven painted, metallic components made of galvanized steel, the roller is turned 1.6.

USE Roller with ZZ greased bearings.

* $\varnothing A$: Per rullo in acciaio / For roller made of steel
 $\varnothing B$: Per rullo in poliammide / For roller made of polyamide



| Rullo in acciaio Roller set in steel | | | | | | | | | | | | | Rullo in poliammide Roller set in polyamide | | | |
|---|----------|----------------------|-----------------|----|----|----|-----|----|-----|-----|-------|-----------------|--|----------|----------------------|------|
| Tipo Type | Cod. N° | * $\varnothing A$ | $\varnothing B$ | D | E | F | G | H | L | M | N | $\varnothing r$ | Tipo Type | Cod. N° | Peso Weight in kg | |
| | | | | | | | | | | | | | | | RAU | RAP |
| RAU 1 | AR070902 | 8 | 8 | 15 | 35 | 15 | 51 | 20 | 35 | 43 | 60 | 30 | RAP 1 | AR070886 | 0.24 | 0.16 |
| RAU 2/3 | AR070904 | 10 | 10 | 15 | 40 | 20 | 58 | 25 | 45 | 50 | 68 | 40 | RAP 2/3 | AR070888 | 0.46 | 0.29 |
| RAU 4-10 | TB002022 | 16 | 12 | 15 | 50 | 30 | 75 | 35 | 60 | 65 | 85 | 60 | RAP 4-10 | TB002032 | 1.16 | 0.65 |
| RAU 5-10 | TB002023 | 20 | 20 | 20 | 65 | 40 | 111 | 45 | 90 | 95 | 121.5 | 80 | RAP 5-10 | TB002033 | 2.98 | 1.70 |
| RAU 6-10 | TB002024 | 20 | 20 | 20 | 70 | 45 | 156 | 45 | 135 | 140 | 167 | 90 | RAP 6-10 | TB002034 | 5.80 | 2.49 |

| Campo di lavoro Working field | | | | Campo di lavoro Working field | | | |
|----------------------------------|----------------------|----------------------------------|-----------------------|----------------------------------|----------------------|----------------------------------|-----------------------|
| Tipo Type | Ø Rullo Roller | Numero di giri max Max rpm | Cuscinetto Bearing | Tipo Type | Ø Rullo Roller | Numero di giri max Max rpm | Cuscinetto Bearing |
| RAU 1 | 30 | 15000 | 608 | RAP 1 | 30 | 8000 | 608 |
| RAU 2/3 | 40 | 12000 | 6200 | RAP 2/3 | 40 | 8000 | 6200 |
| RAU 4-10 | 60 | 9500 | 6304 | RAP 4-10 | 60 | 6000 | 6301 |
| RAU 5-10 | 80 | 6500 | 6306 | RAP 5-10 | 80 | 5000 | 6304 |
| RAU 6-10 | 90 | 6500 | 6306 | RAP 6-10 | 90 | 4500 | 6304 |

Il numero di giri descritto in tabella è indicativo. L'applicazione va valutata in base al tipo d'impiego, il fattore di servizio e le condizioni di lavoro.
 The rpm indicated in the chart is approximate. The application must be considered according to the type of use, the service factor and the working conditions.