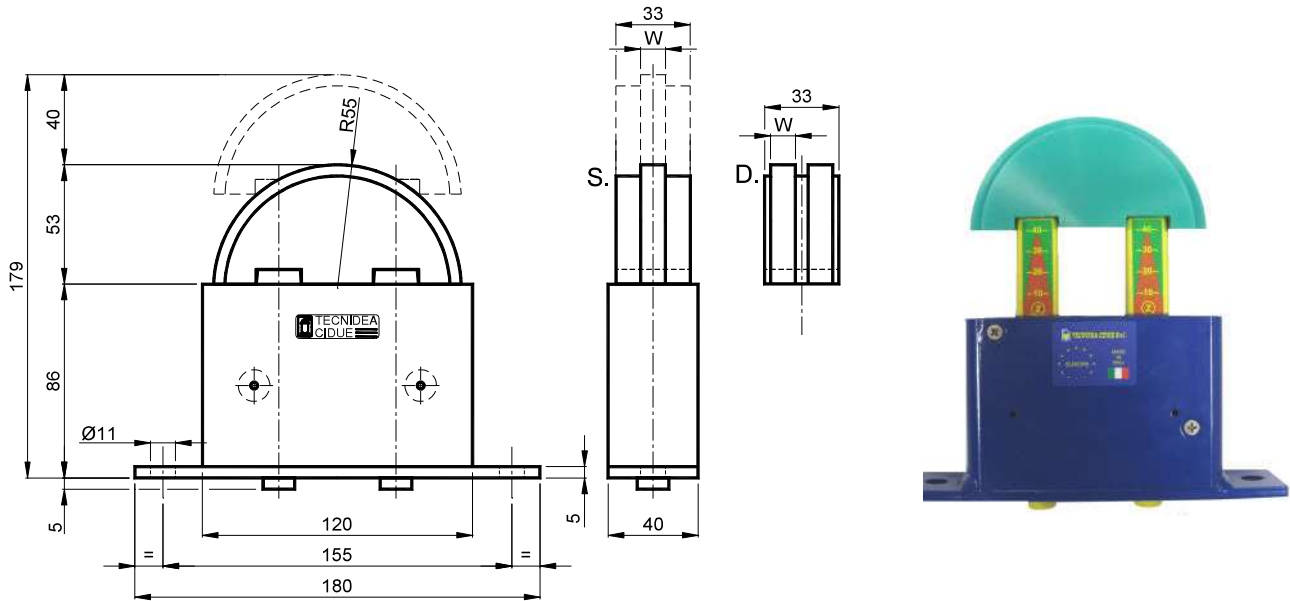


Type: **BBZBV – BBXBV** / Tipo: **BBZBV – BBXBV**



Tensioners are made by BB elastic element and BV sliding block.
 Tensioners BBZBV are available with galvanized springs and BBXBV types with stainless steel springs; load values are indicated on pag I-30.
 The travel is 40 mm.

I tenditori sono composti dall'elemento elastico BB e la testa BV.
 I tenditori BBZBV sono disponibili con molle in acciaio zincato ed i tipi BBXBV con molle in acciaio inox; i valori di carico sono riportati a pag I-30.
 La corsa è di 40 mm.

		Zinc plated springs / Molle zincate				Stainless steel springs / Molle inox				
		BBZ+BV	BBZ		BV		BBX		BBX+BV	
Chain Catena DIN 8187 ISO Pitch										
12-B1	3/4"x7/16"	BB20ZBV4S	BB 20 Z	BL010622	BV 4 S	BL010684	11	BB 20 X	BL011632	BB30XBV4S
12-B1	3/4"x7/16"	BB30ZBV4S	BB 30 Z	BL010624	BV 4 S	BL010684	11	BB 30 X	BL011634	BB30XBV4S
16-B1	1"x17,02mm	BB30ZBV5S	BB 30 Z	BL010624	BV 5 S	BL010685	16	BB 30 X	BL011634	BB30XBV5S
16-B1	1"x17,02mm	BB40ZBV5S	BB 40 Z	BL010626	BV 5 S	BL010685	16	BB 40 X	BL011636	BB40XBV5S
08-B2	1/2"x5/16"	BB20ZBV2D	BB 20 Z	BL010622	BV 2 D	BL010692	7	BB 20 X	BL011632	BB20XBV2D
10-B2	5/8"x3/8"	BB20ZBV3D	BB 20 Z	BL010622	BV 3 D	BL010693	9	BB 20 X	BL011632	BB20XBV3D
10-B2	5/8"x3/8"	BB30ZBV3D	BB 30 Z	BL010624	BV 3 D	BL010693	9	BB 30 X	BL011634	BB30XBV3D
12-B2	3/4"x7/16"	BB30ZBV4D	BB 30 Z	BL010624	BV 4 D	BL010694	11	BB 30 X	BL011634	BB30XBV4D

Tensioners for triple chain are provided on request only. // I tenditori per catena tripla si forniscono solo su richiesta.