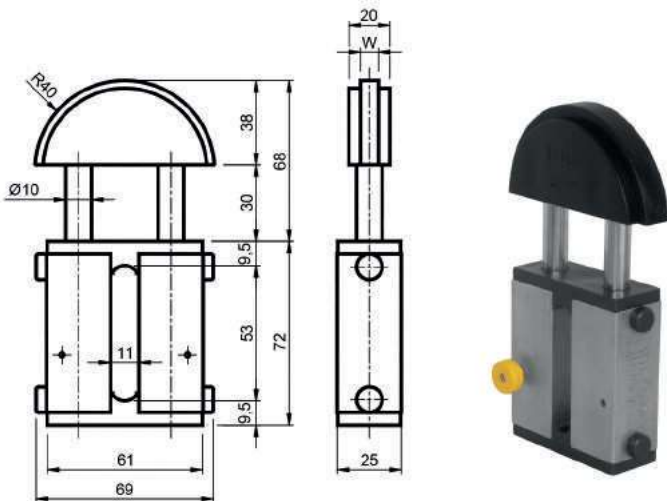




Elastic Elements – Type: **GV** / *Elementi Elastici – Tipo: **GV***



Type Tipo	Cod. N°	Chain Catena	W	Newton max	Weight Peso [kg]
GV101S	AS011600	06-B1 06-C1	4,5	158	0,24
GV102S	AS011605	08-B1 08-A1	7	158	0,24
GV202S	AS011610	08-B1 08-A1	7	284	0,24
GV203S	AS011606	10-B1 10-A1	9	284	0,24
GV303S	AS011611	10-B1 10-A1	9	478	0,24
GV304S	AS011612	12-B1 12-A1	11	478	0,24

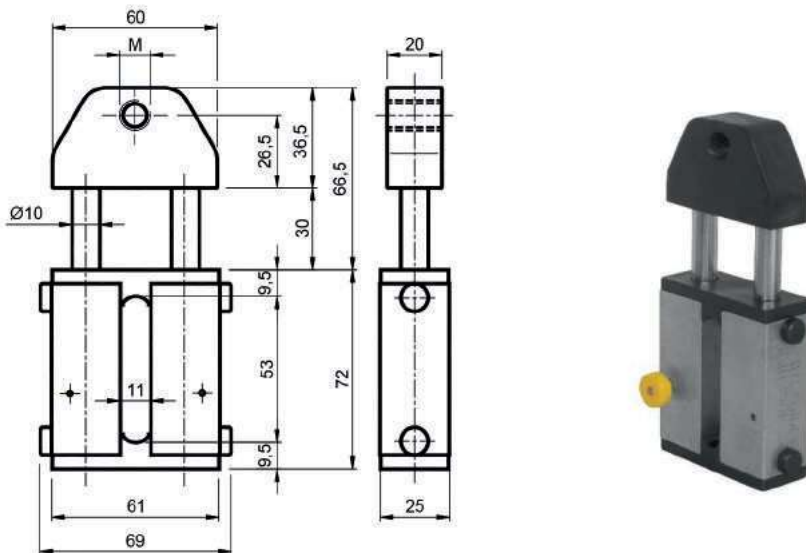
MATERIALS Body is made of aluminum. Pins are made of steel. Junctions are made of plastic, sliding block is made of POM-H plastic.

TREATMENTS Galvanized metallic components.

MATERIALI Corpo in alluminio. Colonne in acciaio. Unioni in plastica. Pattino in plastica POM-H.

TRATTAMENTI Componenti metallici zincati.

Elastic Elements – Type: **GP** / *Elementi Elastici – Tipo: **GP***



Type Tipo	Cod. N°	M	Newton max	Weight Peso [kg]
GP10	AS011510	/	158	0,24
GP20	AS011511	/	284	0,24
GP30	AS011512	/	478	0,24
GP10-M8	AS011520	M8	158	0,24
GP20-M8	AS011521	M8	284	0,24
GP10-M10	AS011525	M10	158	0,24
GP20-M10	AS011526	M10	284	0,24
GP30-M10	AS011527	M10	478	0,24
GP10-M12	AS011530	M12	158	0,24
GP20-M12	AS011531	M12	284	0,24
GP30-M12	AS011532	M12	478	0,24
GP10-M16	AS011535	M16	158	0,24
GP20-M16	AS011536	M16	284	0,24
GP30-M16	AS011537	M16	478	0,24

MATERIALS Body is made of aluminum. Pins are made of steel. Junctions are made of plastic.

TREATMENTS Galvanized metallic components.

MATERIALI Corpo in alluminio. Colonne in acciaio. Unioni e supporto in plastica.

TRATTAMENTI Componenti metallici zincati.