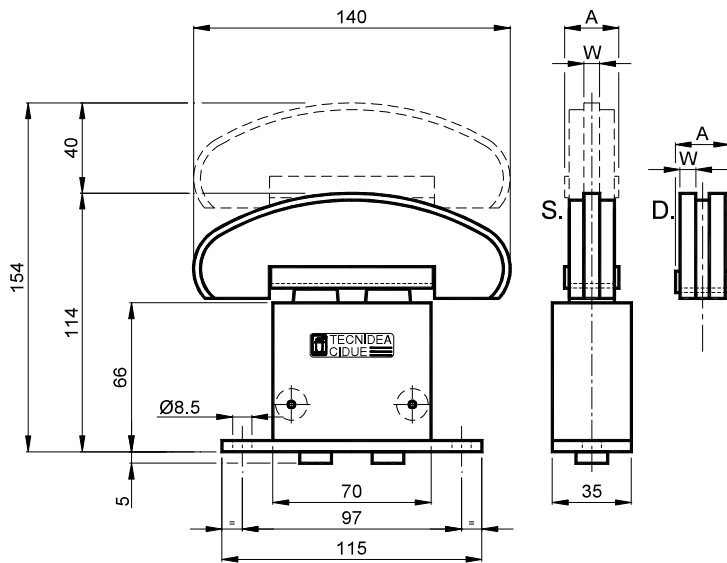


Type: BCZCG – BCXCG / Tipo: BCZCG – BCXCG



🇬🇧 Tensioners are made by BC elastic element and CG head.

Tensioners BCZCG are available with galvanized springs and BCXCG types with stainless steel springs; load values are indicated on pag I-30. The travel is 40 mm.

🇮🇹 I tenditori sono composti dall'elemento elastico BC e la testa CG.

I tenditori BCZCG sono disponibili con molle in acciaio zincato ed i tipi BCXCG con molle in acciaio inox; i valori di carico sono riportati a pag I-30. La corsa è di 40 mm.

		Zinc plated springs / Molle zincate				Stainless steel springs / Molle inox					
Chain Catena DIN 8187 ISO Pitch		BCZ+CG	BCZ		CG		A	W	BCX		BCX+CG
06-B1	3/8"x7/32"	BC10ZCG1S	BC 10 Z	BL010600	CG 1 S	BL010771	24	5	BC 10 X	BL010610	BC10XCG1S
06-B1	3/8"x7/32"	BC20ZCG1S	BC 20 Z	BL010602	CG 1 S	BL010771	24	5	BC 20 X	BL010612	BC20XCG1S
08-B1	1/2"x5/16"	BC10ZCG2S	BC 10 Z	BL010600	CG 2 S	BL010772	24	7	BC 10 X	BL010610	BC10XCG2S
08-B1	1/2"x5/16"	BC20ZCG2S	BC 20 Z	BL010602	CG 2 S	BL010772	24	7	BC 20 X	BL010612	BC20XCG2S
10-B1	5/8"x3/8"	BC20ZCG3S	BC 20 Z	BL010602	CG 3 S	BL010773	24	9	BC 20 X	BL010612	BC20XCG3S
10-B1	5/8"x3/8"	BC30ZCG3S	BC 30 Z	BL010604	CG 3 S	BL010773	24	9	BC 30 X	BL010614	BC30XCG3S
12-B1	3/4"x7/16"	BC20ZCG4S	BC 20 Z	BL010602	CG 4 S	BL010774	24	11	BC 20 X	BL010612	BC20XCG4S
12-B1	3/4"x7/16"	BC30ZCG4S	BC 30 Z	BL010604	CG 4 S	BL010774	24	11	BC 30 X	BL010614	BC30XCG4S
16-B1	1"x17.02mm	BC30ZCG5S	BC 30 Z	BL010604	CG 5 S	BL010775	29	16	BC 30 X	BL010614	BC30XCG5S
16-B1	1"x17.02mm	BC40ZCG5S	BC 40 Z	BL010606	CG 5 S	BL010775	29	16	BC 40 X	BL010616	BC40XCG5S
20-B1	1"1/4x3/4"	BC30ZCG6S	BC 30 Z	BL010604	CG 6 S	BL010776	29	18	BC 30 X	BL010614	BC30XCG6S
20-B1	1"1/4x3/4"	BC40ZCG6S	BC 40 Z	BL010606	CG 6 S	BL010776	29	18	BC 40 X	BL010616	BC40XCG6S
06-B2	3/8"x7/32"	BC10ZCG1D	BC 10 Z	BL010600	CG 1 D	BL010781	24	5	BC 10 X	BL010610	BC10XCG1D
06-B2	3/8"x7/32"	BC20ZCG1D	BC 20 Z	BL010602	CG 1 D	BL010781	24	5	BC 20 X	BL010612	BC20XCG1D
08-B2	1/2"x5/16"	BC20ZCG2D	BC 20 Z	BL010602	CG 2 D	BL010782	24	7	BC 20 X	BL010612	BC20XCG2D
10-B2	5/8"x3/8"	BC20ZCG3D	BC 20 Z	BL010602	CG 3 D	BL010783	29	9	BC 20 X	BL010612	BC20XCG3D
10-B2	5/8"x3/8"	BC30ZCG3D	BC 30 Z	BL010604	CG 3 D	BL010783	29	9	BC 30 X	BL010614	BC30XCG3D
12-B2	3/4"x7/16"	BC30ZCG4D	BC 30 Z	BL010604	CG 4 D	BL010784	34	11	BC 30 X	BL010614	BC30XCG4D
16-B2	1"x17.02mm	BC30ZCG5D	BC 30 Z	BL010604	CG 5 D	BL010785	52	16	BC 30 X	BL010614	BC30XCG5D
16-B2	1"x17.02mm	BC40ZCG5D	BC 40 Z	BL010606	CG 5 D	BL010785	52	16	BC 40 X	BL010616	BC40XCG5D

Tensioners for triple chain are provided on request only / I tenditori per catena tripla si forniscono solo su richiesta.